

JVC

SERVICE MANUAL

PORTABLE COMPONENT SYSTEM

PC-V77 A/B/E/G/U/V



An instruction booklet (B/E/G version) is provided with this manual.

Contents

	Page		Page
1 Safety Precautions	2	Main P.C. Board parts	24
2 Location of Main Parts	3	DTS P.C. Board parts	28
3 Removal of Main Parts	4	9 Exploded View of Speaker Box and Parts List	29
4 Adjustment	7	10 Exploded View of Mechanism Assembly	30
5 Block Diagram	12	Mechanism Component Parts List	31
6 Wiring Connections	14	11 Exploded View of Enclosure Assembly	32
7 Standard Schematic Diagram	15	Enclosure Assembly Parts List	33
8 Location of P.C. Board Parts and Parts List		12 Packing and Packing Parts List	35
Tuner P.C. Board Parts	20	13 Accessories	Back Cover
DIN Board	23		

1 Safety Precautions

1. The design of this product contains special hardware. Many circuits and components specially for safety purposes.
For continued protection, no changes should be made to the original design unless authorized in writing by the manufacturer. Replacement parts must be identical to those used in the original circuits. Service should be performed by qualified personnel only.
2. Alterations of the design or circuitry of the product should not be made. Any design alterations or additions will void the manufacturer's warranty and will further relieve the manufacturer of responsibility for personal injury or property damage resulting therefrom.
3. Many electrical and mechanical parts in the product have special safety-related characteristics. These characteristics are often not evident from visual inspection nor can the protection afforded by them necessarily be obtained by using replacement components rated for higher voltage, wattage, etc. Replacement parts which have these special safety characteristics are identified in the parts list of Service manual. Electrical components having such features are identified by (Δ) on the schematics and parts list in Service manual. The use of a substitute replacement which does not have the same safety characteristics as the recommended replacement part shown in the parts list in Service manual may create shock, fire, or other hazards.
4. The leads in the products are routed and dressed with ties, clamps, tubings, barriers and/or the like to be separated from live parts, high temperature part, moving parts and/or sharp edges for the prevention of electric shock and fire hazard.
When service is required, the original lead routing and dress should be observed, and they should be confirmed to be returned to normal, after re-assembling.
5. Leakage current check
(Safety for electrical shock hazard)
After re-assembling the product, always perform an isolation check on the exposed metal parts of the Products (antenna terminals, knobs, metal cabinet, screw heads, earphone jack, control shafts, etc.) to be sure the product is safe to operate without danger of electrical shock.

Do not use a line isolation transformer during this check.

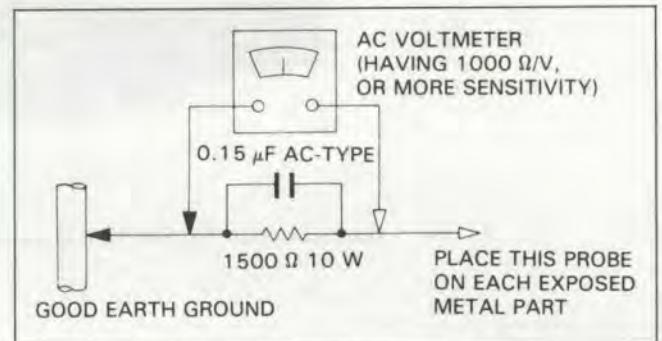
- Plug the AC line cord directly into the AC outlet. Using a "Leakage Current Tester", measure the leakage current from each exposed metal part of the cabinet, particularly any exposed metal part having a return path to the chassis, to a known good earth ground (water pipe, etc.). Any leakage current must not exceed 0.5 mA AC (r.m.s.).
- Alternate check method.

Plug the AC line cord directly into the AC outlet. Use an AC voltmeter having 1,000 ohms per volt or more sensitivity in the following manner. Connect a 1500 Ω 10 W resistor paralleled by a 0.15 μ F AC-type capacitor between an exposed metal part and a known good earth ground (water pipe, etc.)

Measure the AC voltage across the resistor with the AC voltmeter.

Move the resistor connection to each exposed metal part, particularly any exposed metal part having a return path to the chassis, and measure the AC voltage across the resistor. Now, reverse the plug in the AC outlet and repeat each measurement. Any voltage measured must not exceed 0.75 V AC (r.m.s.).

This corresponds to 0.5 mA AC (r.m.s.).



2 Location of Main Parts

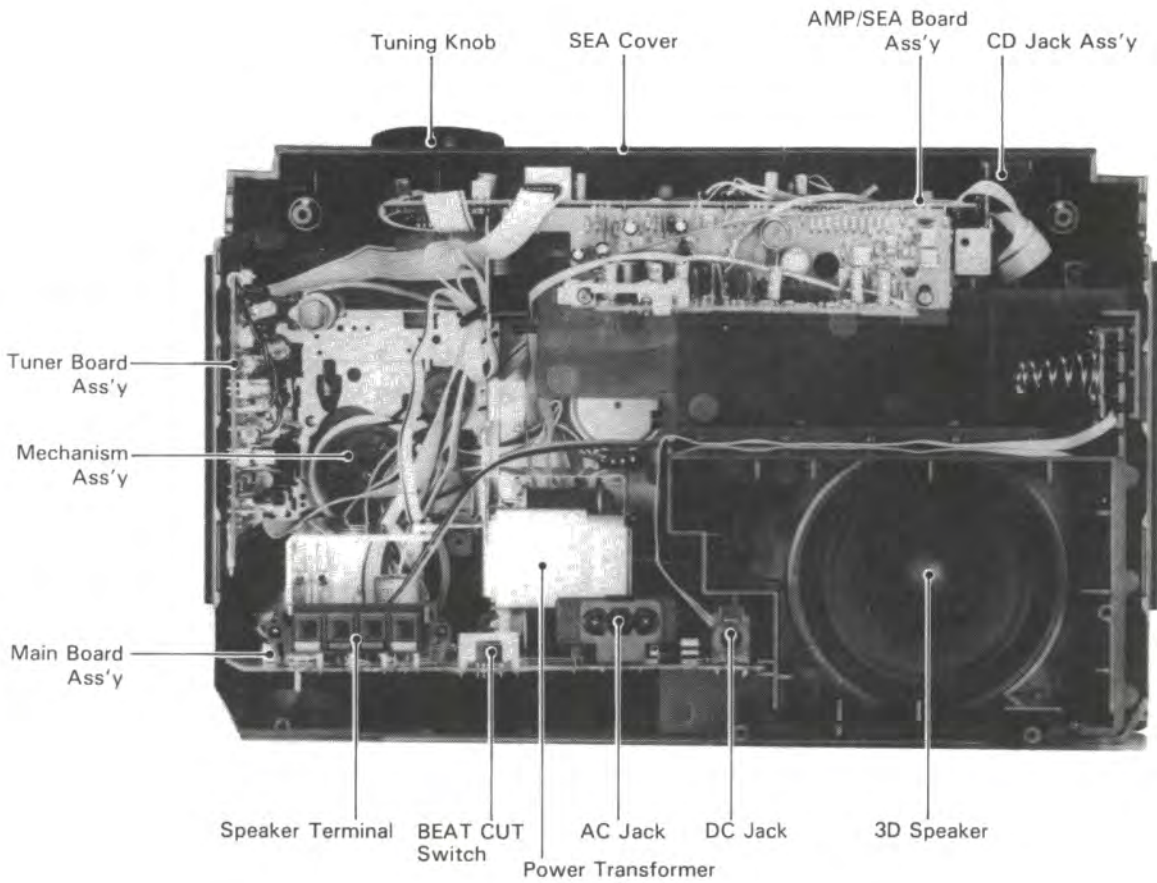


Fig. 2-1

3 Removal of Main Parts

Cabinet Section

* Replacing the fuse

Remove the rear cabinet the replace fuse

* Replacing the telescopic antenna.

Remove the screw (A) at rear of the cabinet to replace the T. antenna.

■ Rear cover

- 1) Remove the battery cover.
- 2) Remove eight screws (1), (2) and (3) retaining the rear cabinet.
- 3) Disconnect the connector (CND1) on Din Jack Board. (G/V version)

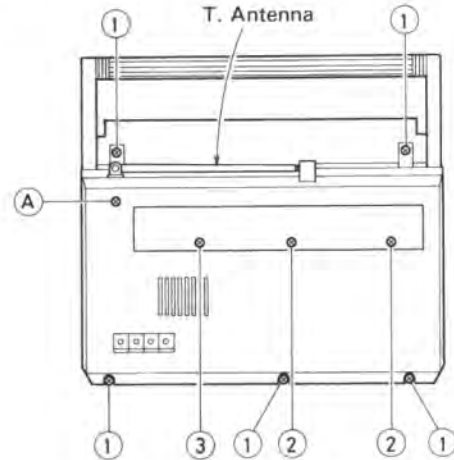


Fig. 3-1

■ Amp. Board/SEA Board/3D speaker ass'y

- 1) Remove the two screws (4) securing the CD in-jack ass'y.
- 2) Remove the volume knob.
- 3) Remove the Function/Tape switch knob.
- 4) Pull and remove the SEA volume cover.
- 5) Remove the five screws (5) and (6) securing the board ass'y and 3D speaker ass'y.
- 6) Pull the entire ass'y slightly, then remove the head wire, motor tuner, etc.

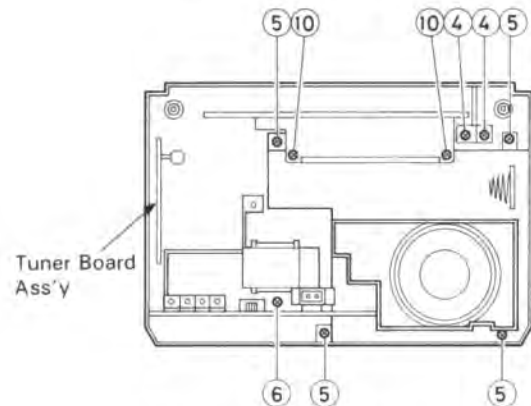


Fig. 3-2

■ Tuner board ass'y

- 1) Remove the wire connector for the tuner board.
- 2) Pull out the board ass'y.

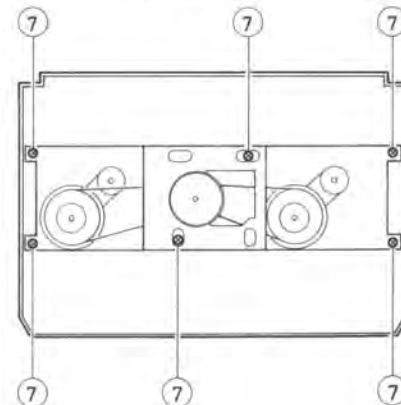


Fig. 3-3

■ Mechanism ass'y

- 1) Remove the six screws (7).
- 2) Open the cassette door to remove.
 - * For reassembly, lift the cabinet rear slightly for easier assembly of the button and button lever.

■ LCD indicator ass'y

- 1) Remove the two screws (8) securing the lamp ass'y.
- 2) Remove the two screws (9) securing the LCD board.

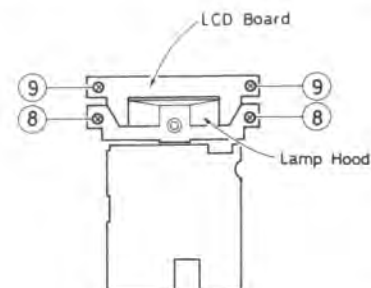


Fig. 3-4

■ **Cassette door**

- 1) Pull the lid up to remove.
- 2) Remove the door spring.
- 3) Close the door and remove the center shaft. Then remove the outer shaft and pull out toward the front panel.

■ **SEA board ass'y**

- 1) Remove the two screws (10) securing the pre-amp board.
 - 2) Remove the four screws (11) securing the SEA board. (For reassembly, insert the rec spring into the switch's slider hole.)
- * The parts on the power amp board can still be replaced.

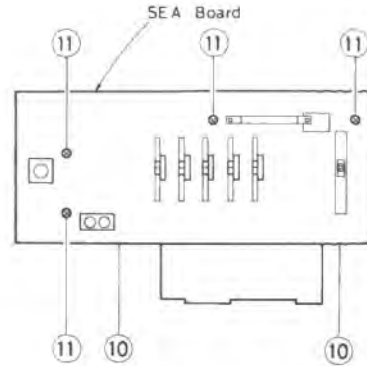
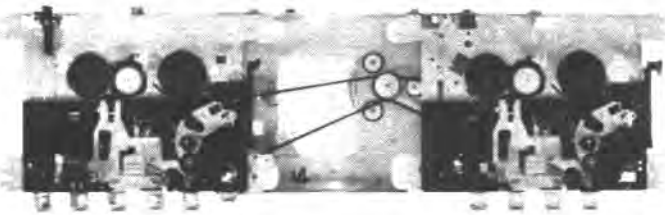


Fig. 3-5

Mechanism Section

(Top View)



(Bottom View)

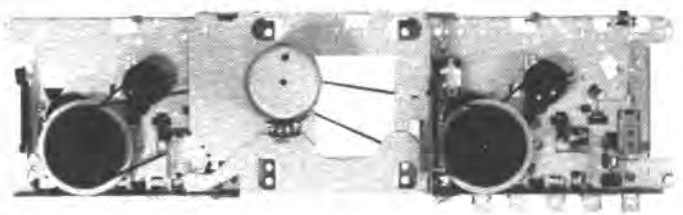


Fig. 3-6

■ **Motor bracket (Recording/playback deck)**

- 1) Remove the three screws (1).
- 2) Remove the chassis and M. bracket from the button side. Then remove the bracket arm (panel). (The synchro arm can be removed from the pause lock. Return the pause lock after it is removed from the proper position.)

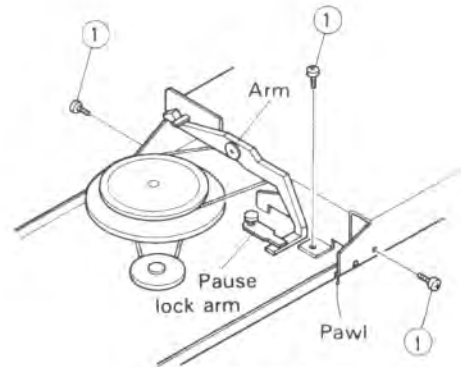


Fig. 3-7

■ **Head section**

- 1) Remove the record/playback head's mounting screw (A) and loosen screw (B).
- 2) Remove the erase head mounting screw (C) and (D).

■ **Pinch roller**

- 1) Remove the pinch roller arm stopper E.

■ **Flywheel ass'y**

- 1) Remove the C washer (F) securing the capstan shaft.
- 2) Pull out the flywheel ass'y.

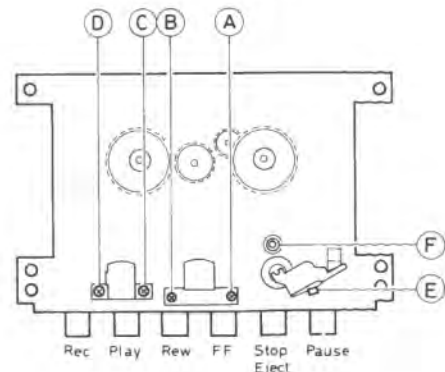


Fig. 3-8

■ Removal of the button ass'y from the mechanical chassis.

- Leaf switch
Press the switch's lock panel and raise from the left to remove.
- Gear (Below the flywheel)
Remove the C washer (G) securing the gear.
For reassembly, insert the Sensing Lever arm stand into the (Z) section.
- Lock arm
Press the arm stopper from window (H), and pull to remove.
- Chassis removal
 - 1) Remove the three (J), (K), and (L) springs.
 - 2) Remove the two screws (2).
 - 3) Remove the two screws (3) securing the capstan metal.
 - 4) Gently remove the button ass'y from the chassis.

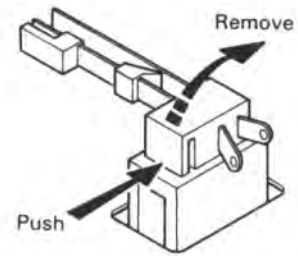


Fig. 3-9

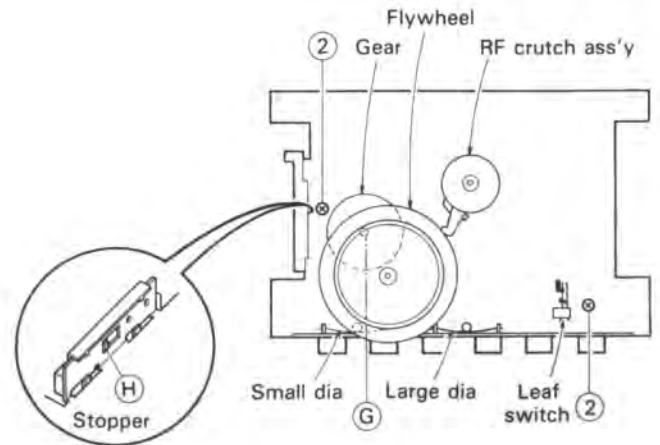


Fig. 3-10

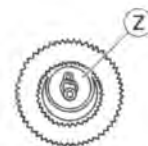


Fig. 3-11

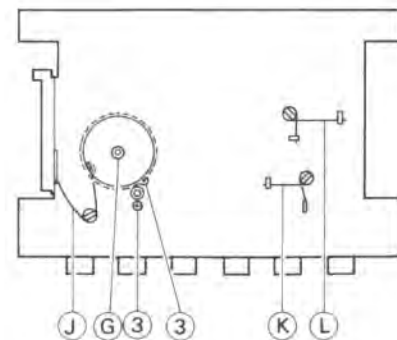


Fig. 3-12

4 Main Adjustment

■ Amplifier adjustments

Conditions

Power supply voltages : DC 12 V, Timer 1.5 V
(from battery)

Input levels : AUX 8 dBm, MIC 48 dBm

Output levels : Speaker 0 dBm/6 Ω
Headphones 0 dBm/32 Ω

SEA controls : Center

Tape select : Normal

Tapes used : Recording normal tape TS-8 (UR)
chrome tape TS-6
metal tape TS-7

Item	Tape used	Adjustment/check method	Switch setting	Adjustment location
Head azimuth adjustment	VTT703 (10 kHz)	Maximize outputs of decks A and B; adjust to minimize phase difference between left and right channels. To adjust deck A, adjust FWD first, then REV. After adjustment, apply screw locking compound. { Fine adjustment after assembly should be done with the head cover removed.	Tape/normal speed	Deck A: Adjust FWD then REV Deck B
Tape speed adjustment	VTT712 (3 kHz)	After normal speed adjustment, perform double speed adjustment 1. Adjust the normal speed of deck A to 3000 with VR851. 2. Check if Deck B is at 3000 Hz +10 Hz. 3. To confirm high speed mode, play back Deck B , then set Deck A to record mode.	Tape/Normal speed High speed	VR851
Checking wow & flutter	VTT712 (3 kHz)	Deck B : 0.35% Deck A : 0.40% (JIS RMS) or less	Tape/Normal speed	
Playback output level	VTT724 (1 kHz)	Adjust VR101, VR102 (deck A) and VR201, VR202 (deck B) so that the output of TP151, TP251 and TP751 are -21 dBm	Tape/Normal speed	Deck A L ch : VR101 R ch : VR201 Deck B L ch : VR102 R ch : VR202
Confirming playback frequency response	VTT739	With respect to their outputs at 1 kHz, the outputs at TP151 and TP251 should be -5 ± 3 dB at 63 Hz, and -1 ± 3 dB at 10 kHz.	Tape/Normal speed	
Recording bias frequency	(TS-8) Normal tape	Set beat cut switch S721 to position 1 and adjust the oscillating frequency of C724 to 68 ± 1 kHz with L721. (Connect a 100 Ω resistor in series when measuring.)	S721 (Beat cut) 2 : 66 kHz 3 : 68 kHz	L721
Rec/Play frequency response	(TS-8) Normal tape	Deck A: Adjust VR122 (L ch) and VR222 (R ch) so that the rec/play output of an input signal -20 dB with respect to the reference level at 1 kHz is -0 dB ± 1 dB at 10 kHz. Deck B : Same as deck A. Measure outputs from TP151 and TP251.		L ch : VR122 R ch : VR222
Rec/play output adjustment	(TS-8) Normal tape	Adjust VR121 (L ch) and VR221 (R ch) so that the level when recording and playing back an AUX (CD) IN signal -20 dB with respect to the reference level is -0 dBm ± 1 dB.		L ch : VR121 R ch : VR221

Location of Adjustment

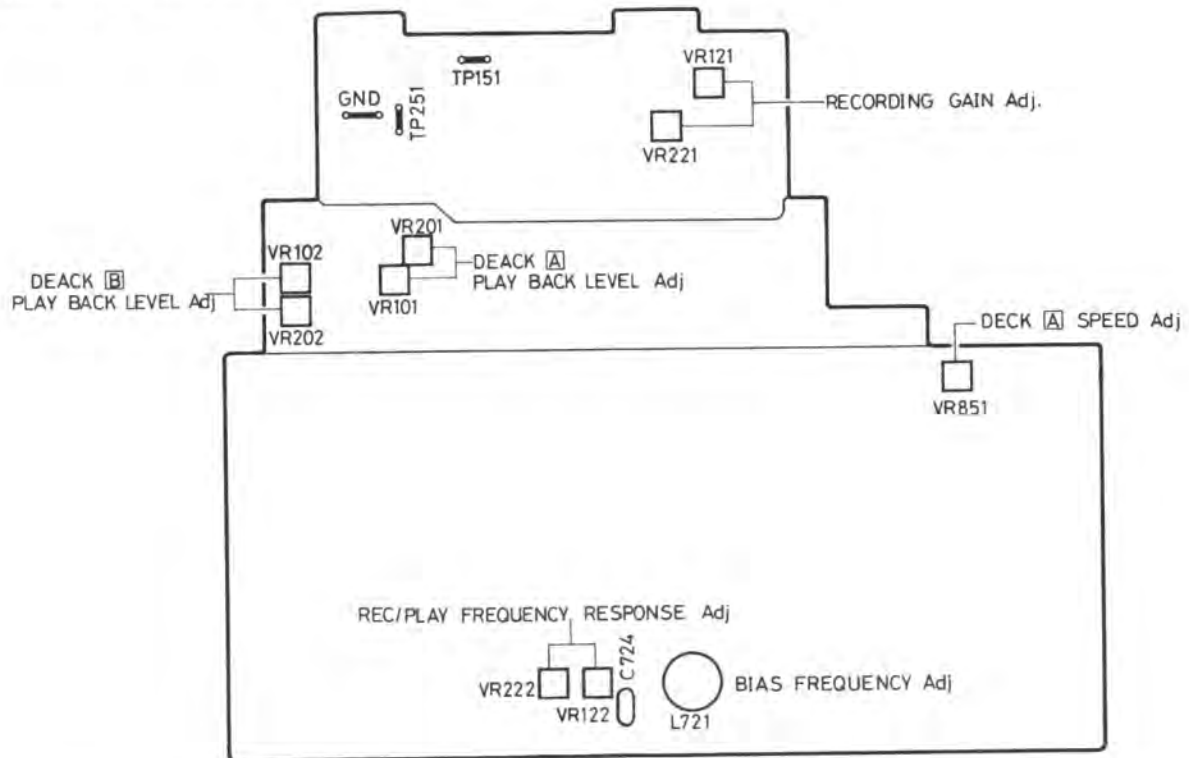
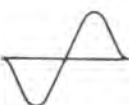


Fig. 4-1

■ Tuner Alignment BASIC CONDITIONS

POWER SOURCE OF THE RECEIVER	DC 12 V, AC 120 V
LOAD RESISTANCE OF THE RECEIVER	50 mW (0.55 V)/6 Ω
MODULATION OF SSG	400 Hz, 30%
Item	Description
1. AM IF ALIGNMENT 1-1 Conditions of the receiver. (1) Power source: (2) Function switch position: (3) Band select switch: (4) Volume control: (5) SEA control: (6) Variable capacitor: 1-2 Connection of Sweeper and the receiver (1) Tuner input: (2) Tuner output: 1-3 Aligning position: 1-4 Alignment (Waveform):	DC 7 V (When the power is supplied directly to the tuner in the receiver, the voltage should be adjusted to the proper level which shall be required by the tuner.) RADIO AM Minimum gain position Center position Near the minimum capacity position where no signal come in. Positive side to TP3 Positive side to TP6 Negative side to TP7 CFT, T2 Adjust AM I.F.T. (above mentioned aligning position) so that maximum and symmetrical wave form can be obtained. In this case, the wavehead should be appeared at the center marker (450 kHz) on the scope of Sweeper.

Item	Description				
<p>2. FM IF ALIGNMENT</p> <p>2-1 Conditions of the receiver</p> <p>(1) Power source: (2) Function switch position: (3) Band select switch: (4) Volume control: (5) SEA control: (6) Variable capacitor:</p> <p>2-2 Connection of Sweeper and the receiver</p> <p>(1) Tuner input: (2) Tuner output:</p> <p>NOTE</p> <p>a) Attach a capacitor (30 pF) and resistor (30 kΩ) to the positive side cable which shall be led from Sweeper input. b) Attach a resistor (100 kΩ) in series to the positive side cable which shall be led from Sweeper output.</p> <p>2-3 Aligning position:</p> <p>2-4 Alignment (Waveform):</p> <p>NOTE The discriminator's CF is yellow. Do not use one that is of another color.</p>	<p>Same as mentioned in item 1-1 RADIO FM Minimum gain position Center position Near the minimum capacity position where no signal come in.</p> <p>Positive side to TP5 Positive side to TP6 Negative side to TP7</p> <p>Discriminate Waveform: T1 ("S" curve waveform) Adjust the discriminate coil (T1) so that "S" curve waveform may be changed to IF waveform as shown in following figure.</p>  <p>Adjust the discriminate T2 so that above symmetrical IF waveform may be changed to balanced "S" curve waveform.</p>				
<p>3. AM RF ALIGNMENT</p> <p>3-1 Conditions of the receiver.</p> <p>(1) Power source: (2) Function switch position: (3) Volume control: (4) SEA control: (5) Variable capacitor:</p> <p>3-2 Conditions of SSG.</p> <p>(1) Modulation: (2) Frequency: (3) Output level of the attenuator in SSG:</p> <p>3-3 Power output measuring position: 3-4 Alignment:</p>	<p>Same as mentioned in item 1-1. RADIO 50 mW Center position Refer the following list shown in item 3-4.</p> <p>Refer the basic condition Refer the following list shown in item 3-4. Approx. 50 mW Speaker terminals</p>				
	<p>Band Select Switch Position</p> <p>AM or MW</p> <p>(Adjustments after AM(MW) oscillation circuit replacement initial setting. (See page 10))</p> <p>LW</p> <p>(B/E/G/V Version)</p>	<p>Sort of Antenna to be attached to SSG</p> <p>Loop Antenna</p>	<p>Frequency of SSG</p> <p>520 kHz</p> <p>600 kHz</p> <p>1,400 kHz</p> <p>281 MHz</p> <p>164 kHz</p> <p>272 kHz</p>	<p>Preset Memory No.</p> <p>M5</p> <p>to be received 600 kHz (M2)</p> <p>to be received 1,400 kHz (M4)</p> <p>M5</p> <p>to be received 164 kHz (M1)</p> <p>to be received 272 kHz (M5)</p>	<p>Aligning Position</p> <p>L5</p> <p>Turn L5 until the voltage of TP9 becomes 4.4 ± 0.05 V.</p> <p>L3</p> <p>TC3</p> <p>L6</p> <p>Turn L6 until the voltage of TP9 becomes 4.4 ± 0.02 V.</p> <p>L4</p> <p>TC-4</p>
1			520 kHz	M5	L5
2					
3					
4			600 kHz	to be received 600 kHz (M2)	L3
5			1,400 kHz	to be received 1,400 kHz (M4)	TC3
6					
7			281 MHz	M5	L6
8					
9					
10			164 kHz	to be received 164 kHz (M1)	L4
11			272 kHz	to be received 272 kHz (M5)	TC-4
12					

	Band Select Switch Position	Sort of Antenna to be attached to SSG	Frequency of SSG	Preset Memory No.	Aligning Position
13	SW (A/U Version)	Dummy Antenna	17.9 MHz	M5	L6
14			Turn L6 until the voltage of TP9 becomes 4.4±0.02 V.		
15			6 MHz	to be received 6 MHz	L4
16			17 MHz	to be received 17 MHz	TC-4
17			Adjust the above aligning position (L4 & TP-4) repeatedly so that the tuner can be obtained the best sensitivity.		
18					

Item	Description
4. FM RF ALIGNMENT 4-1 Conditions of the receiver. (1) Power source: (2) Function switch position: (3) Band select switch: (4) Volume control: (5) SEA control: (6) Variable capacitor: 4-2 Condition of FM SSG. (1) Modulation: (2) Frequency: (3) Output level of the attenuator in FM SSG: 4-3 Connection of sweeper and the receiver. (1) Tuner input (2) Tuner output 4-4 Alignment:	Same as mentioned in item 1-1. RADIO FM 50 mW Center position Refer the following list shown in item 4-3. Refer the basic condition Refer the following list shown in item 4-3. The level shall be decided by the load resistance of the receiver mentioned in the basic conditions. Positive side to TP1. Negative side to TP2. Positive side to

	Band Select Switch Position	Sort of Antenna to be attached to SSG	Frequency of SSG	Preset Memory No.	Aligning Position
1	FM	Dummy Antenna	108 MHz	M5	L1
2			Adjust L1 until the voltage of TP9 becomes 4.4±0.05 V.		
3			88 MHz	to be received 90 MHz (M2)	L2
4			108 MHz	to be received 108 MHz (M4)	TC-2
5			Adjust the above aligning position (L2 & TC-2) repeatedly so that the tuner can be obtained the best sensitivity.		
6					

Adjustments after AM oscillation circuit replacement

Initial setting

- Set L5 to VQM7U02-402. (Seal is 402.)
- Position TC5 (trimmer) in the center.

- 1) Do tracking adjustment of L3 and TC3.
- 2) Measure the maximum sensitivity for every 100 kHz from 600 kHz (or 603 kHz) to 1000 kHz (or 999 kHz). Then do the following:
 - a) If better than the threshold value (52 dB/m) of the maximum sensitivity at each frequency, it is okay.
 - b) If it becomes worse than the threshold value at around 700 kHz to 800 kHz, set TC5 to MAX and readjust the RF tracking.
 - c) If it becomes worse than the threshold value at around 900 kHz to 1000 kHz, set TC5 to MIN and readjust the RF tracking.

Reference OSC circuit parts

- D6 KV 1250
- C25 QFS 41HJ-391
- TC5 QAT 3720-600M
- L5 VQM7002-401
- IC2 LA1810
- C26 QCT30CH-5R6Y
- Q3 2SC2839(E) (Except for C/J version.)

■ FM Stereo Separation Adjustment

1. Receive a modulated stereo signal of 60 dB μ FM 98 MHz.
2. Modulate L ch only, then adjust VR1 until the R ch output is at the minimum.
3. Check if the separation is 35 dB or above (after passing through the DOLBY filter).

Parts Arrangement for Alignment

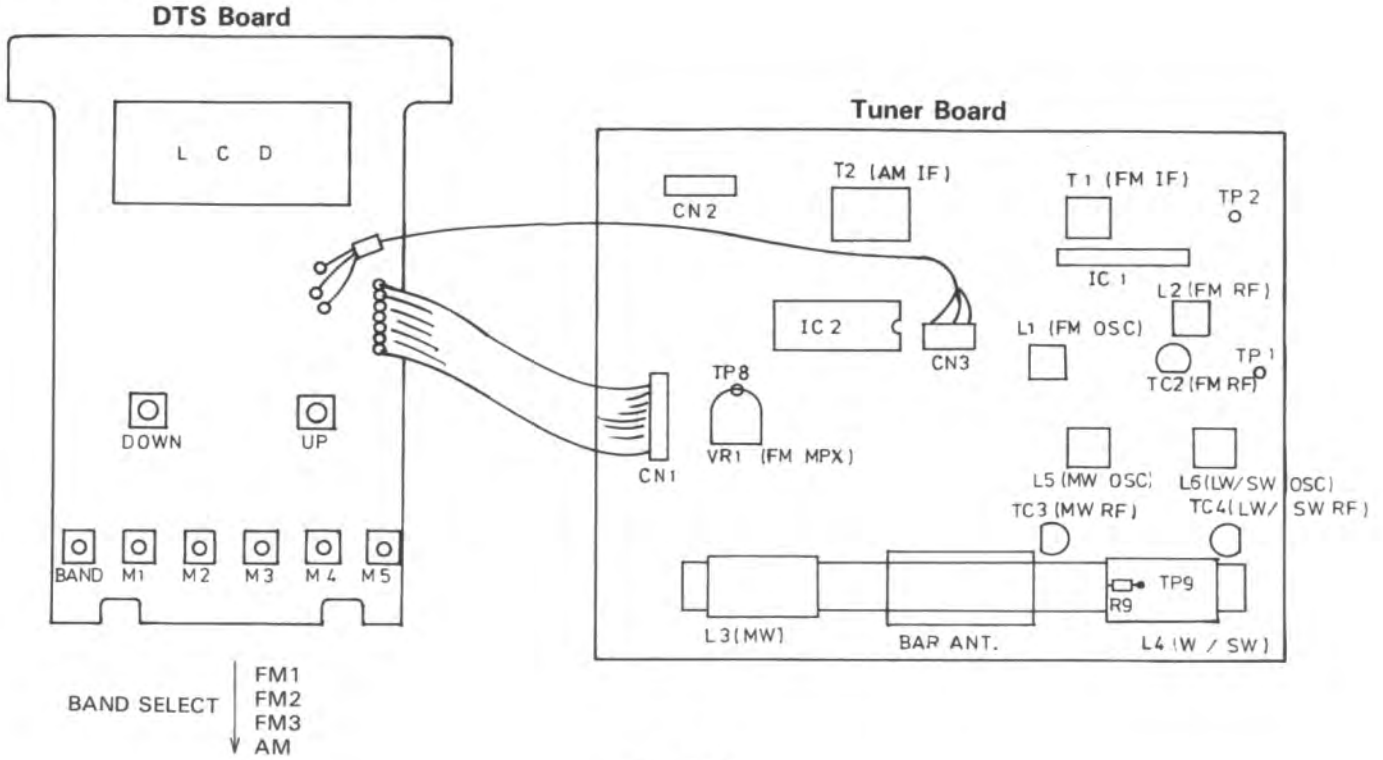


Fig. 4-2

(Pattern side)

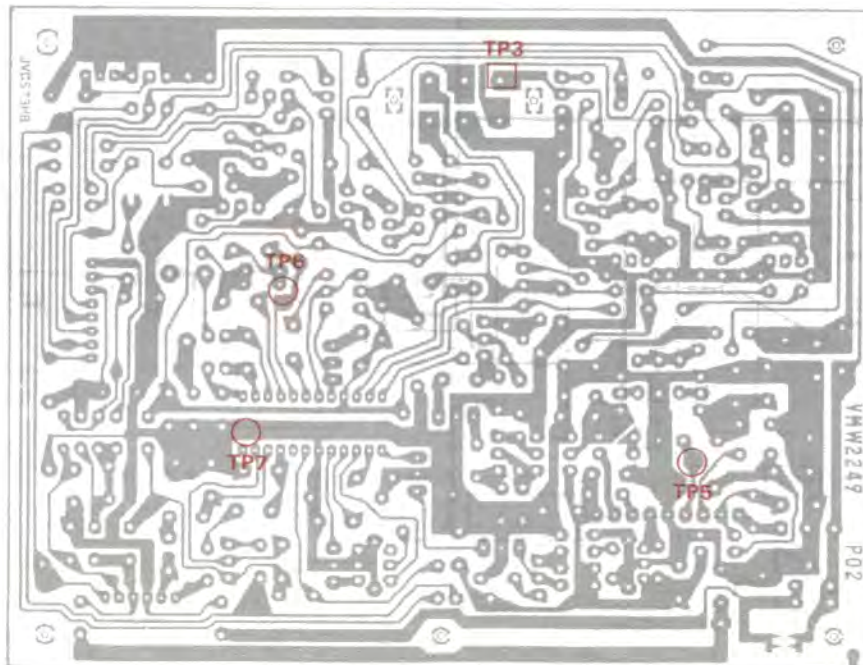


Fig. 4-3

5 Block Diagram

Tuner

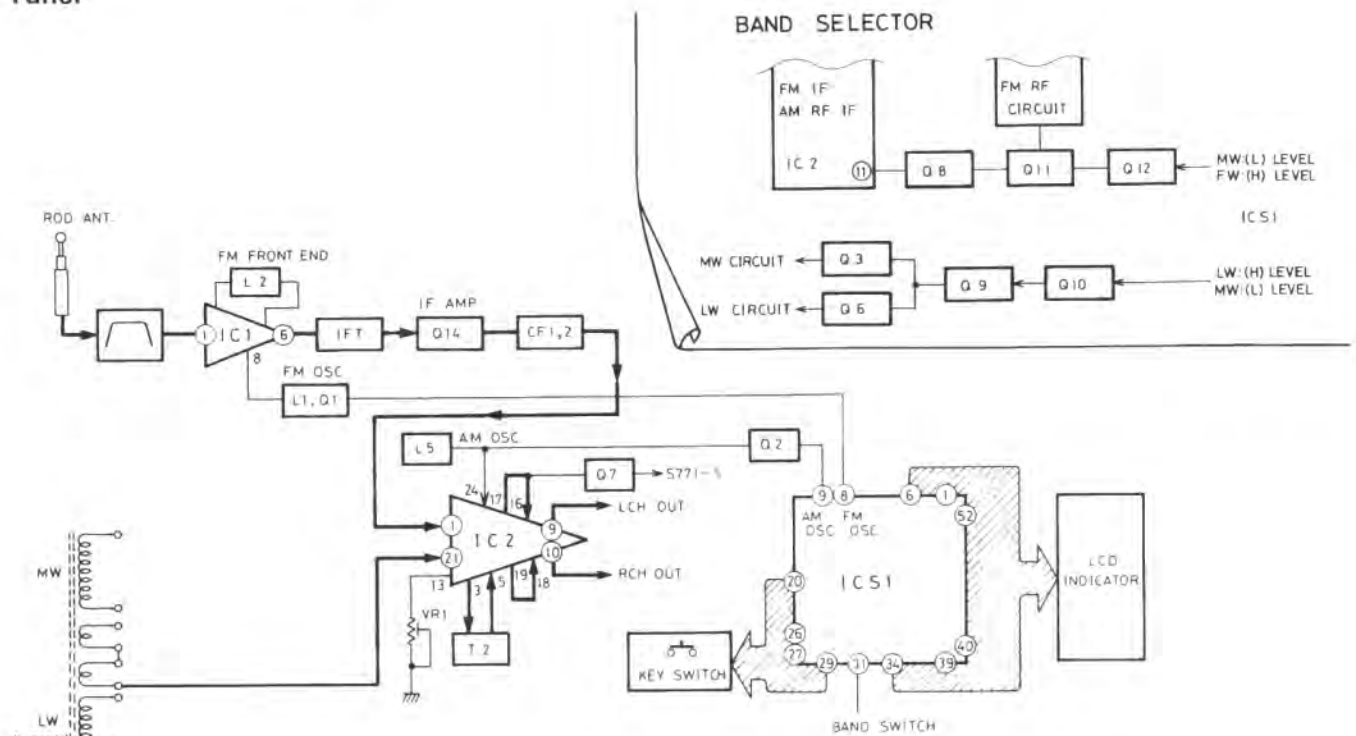


Fig. 5-1

Amplifier

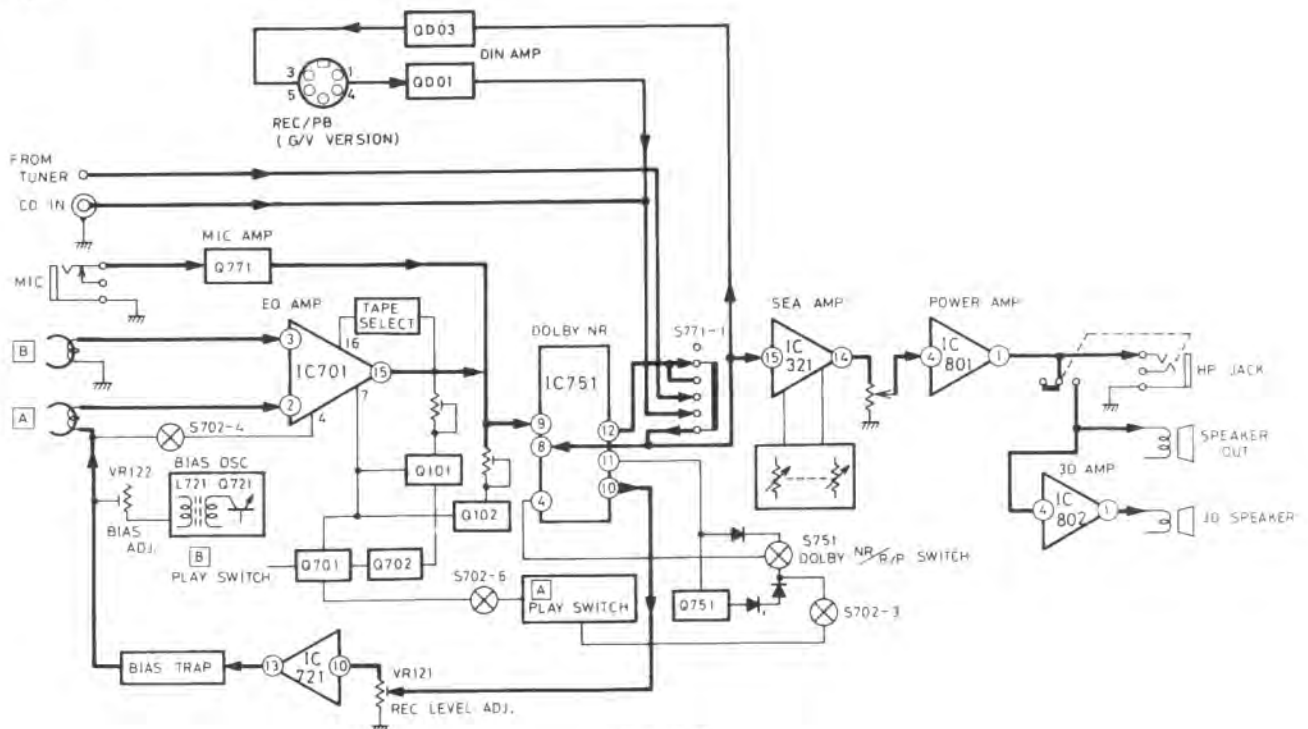


Fig. 5-2

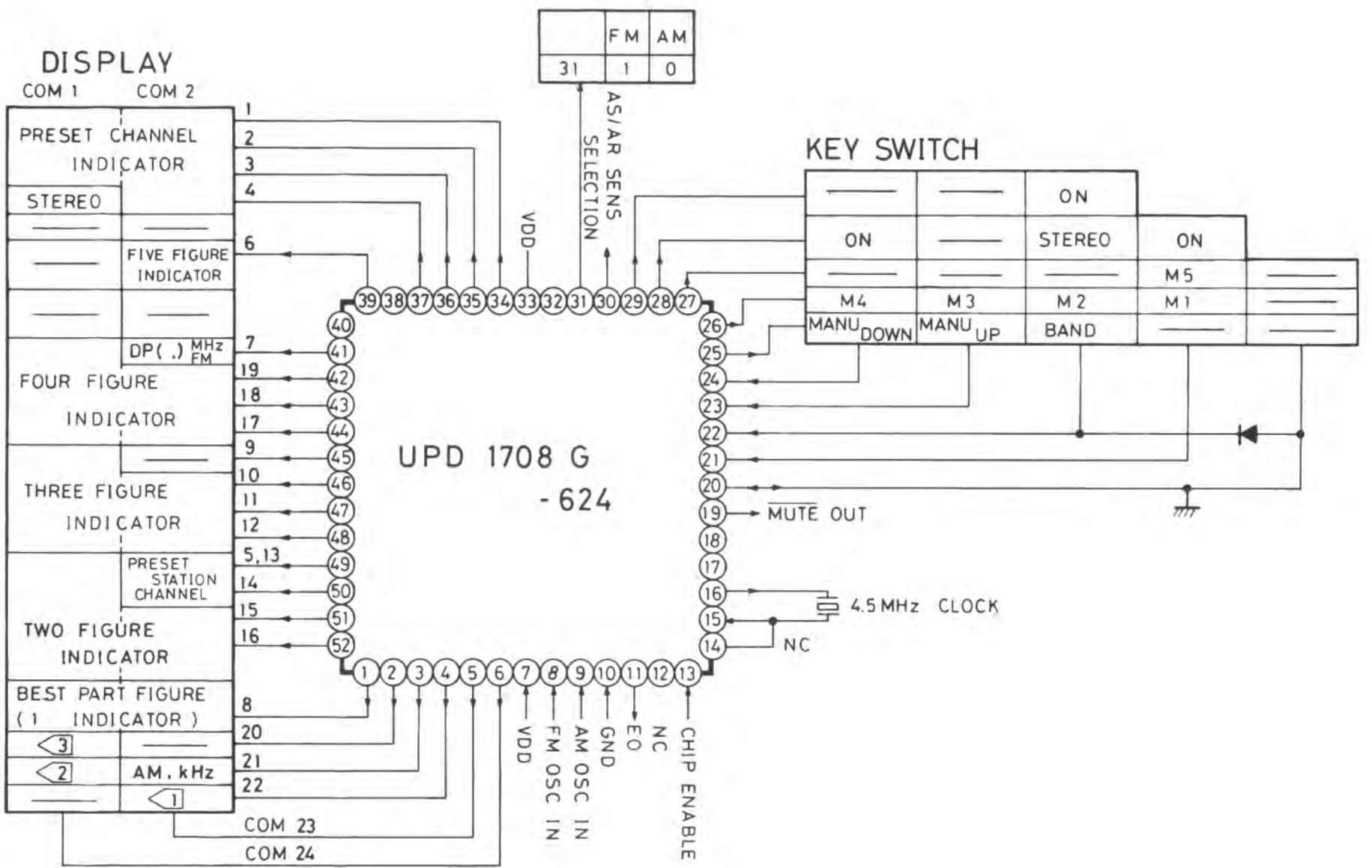


Fig. 5-3

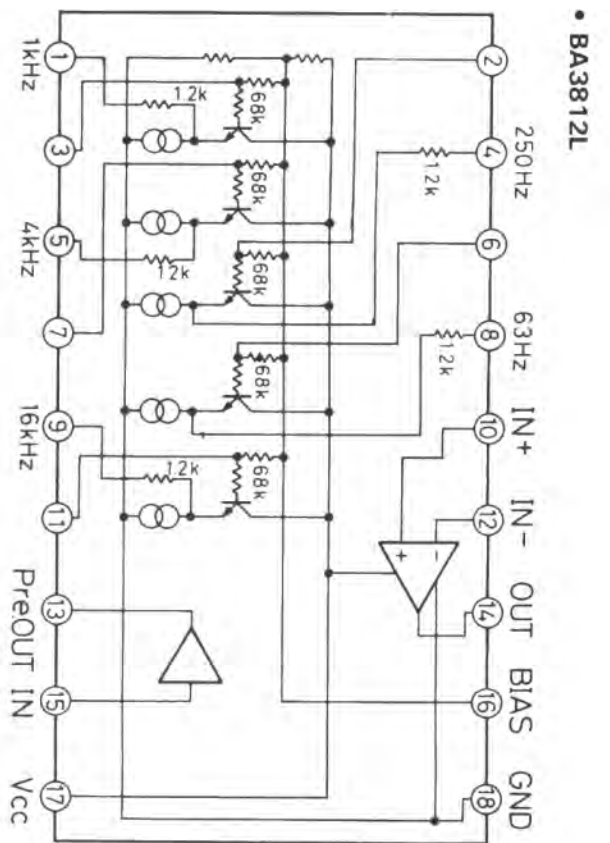


Fig. 5-4

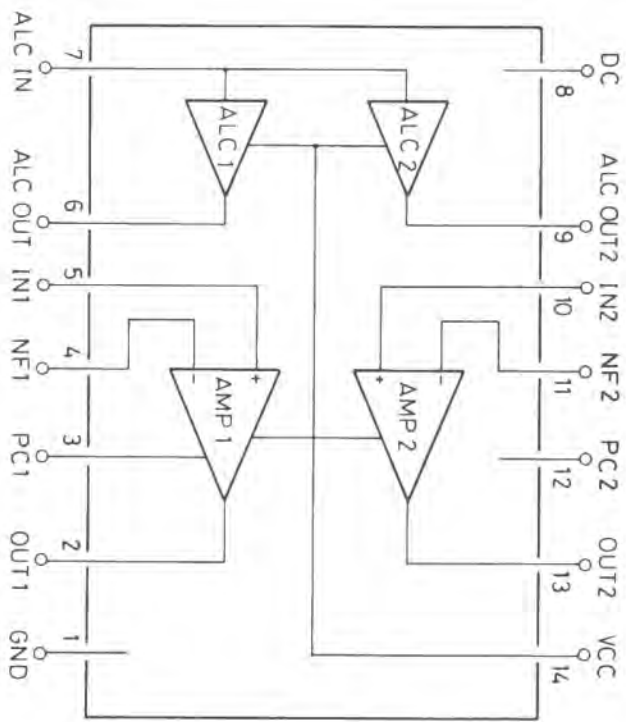
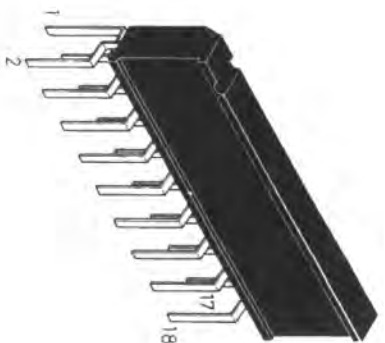


Fig. 5-5

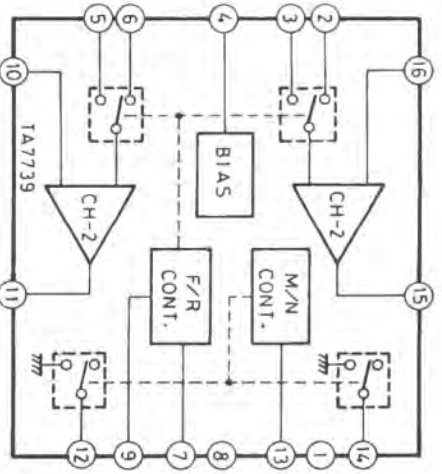
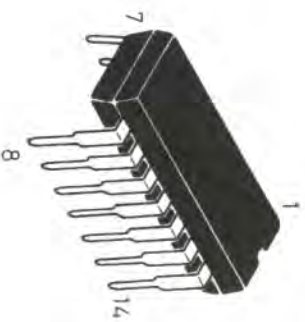


Fig. 5-6

6 Wiring Connections

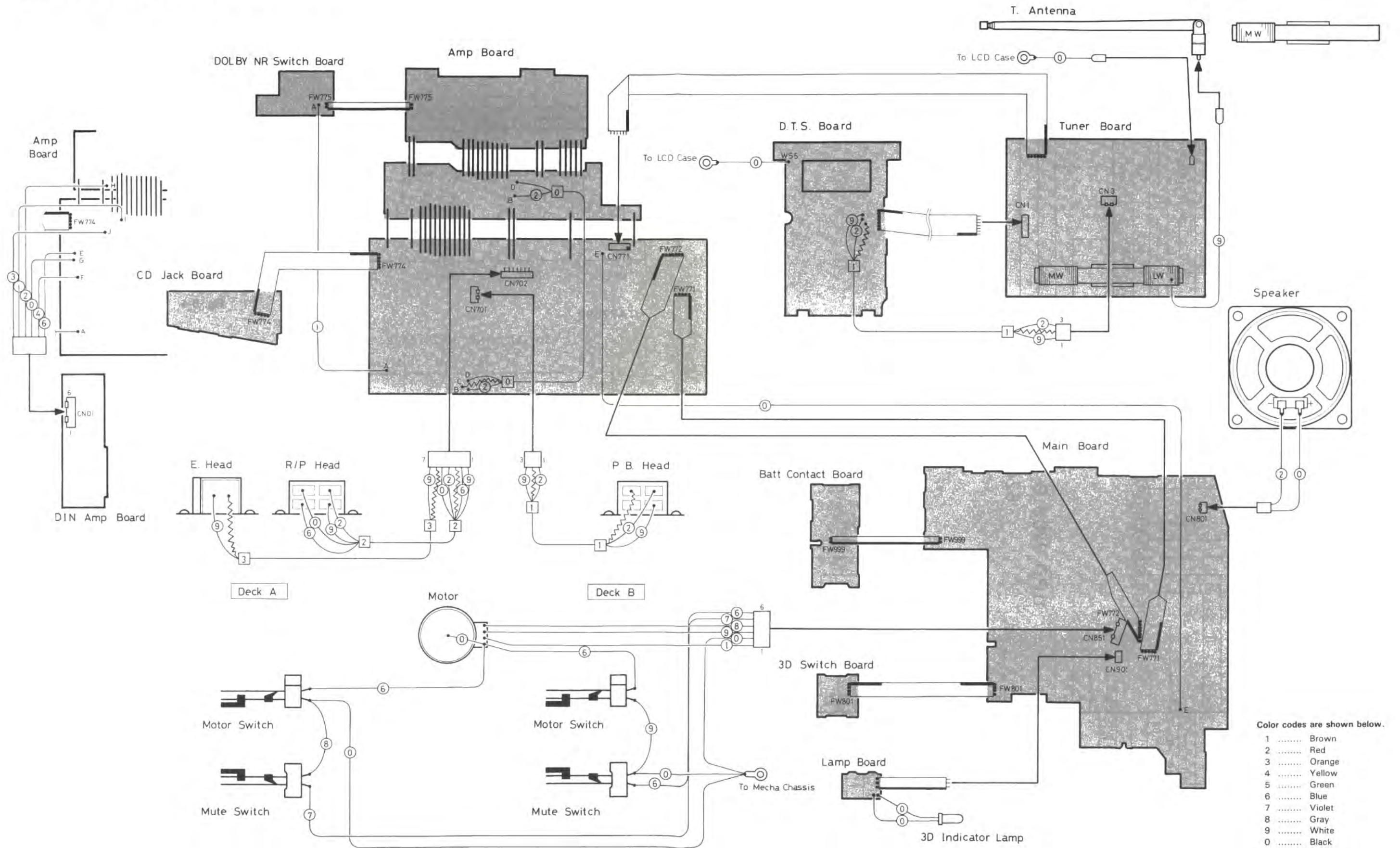


Fig. 6-1

7 Standard Schematic Diagram Tuner Circuit (B/E/G/V Version)

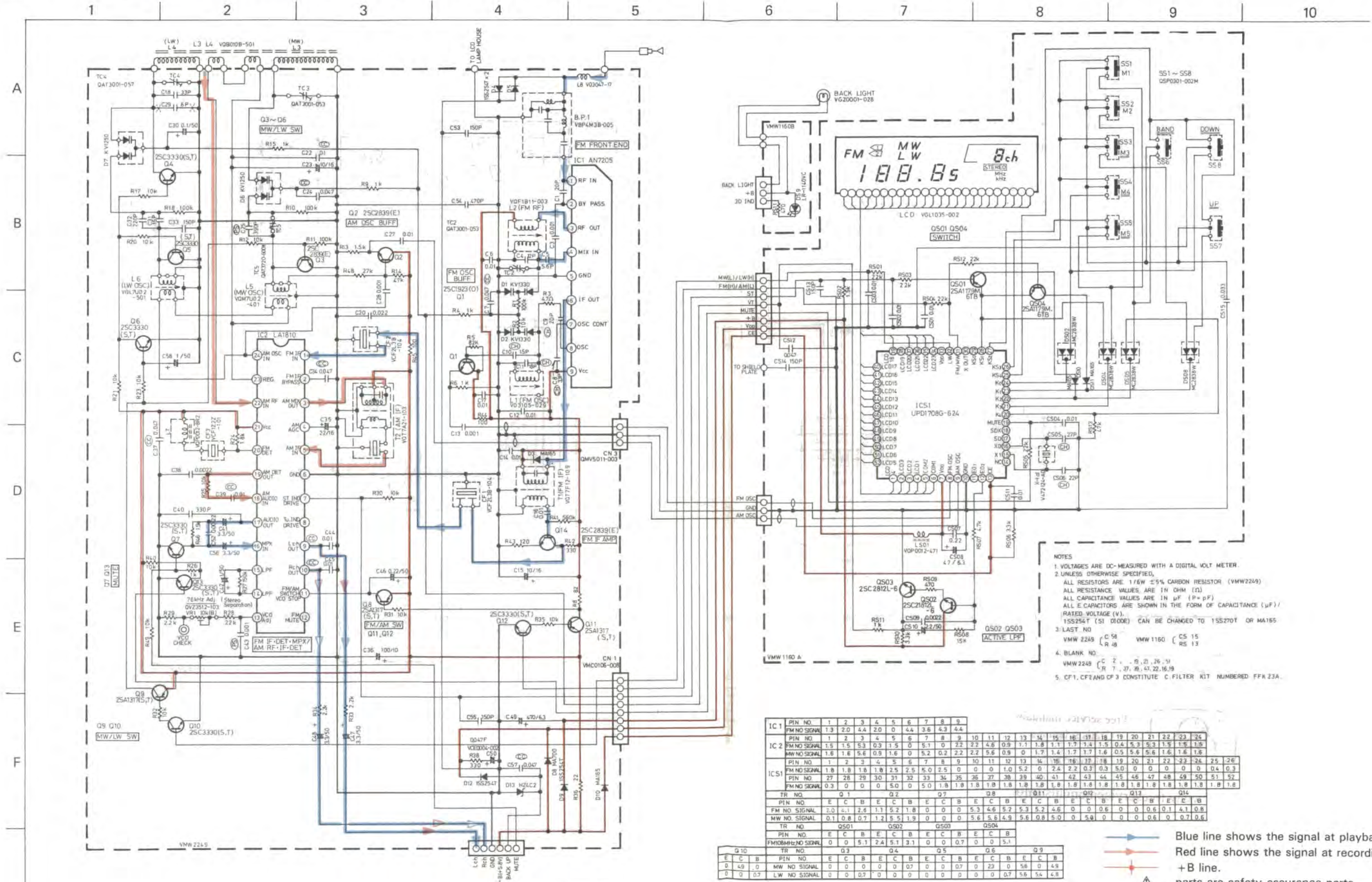


Fig. 7-1

- NOTES**
1. VOLTAGES ARE DC-MEASURED WITH A DIGITAL VOLT METER.
 2. UNLESS OTHERWISE SPECIFIED, ALL RESISTORS ARE 1/8W ±5% CARBON RESISTOR (VMW2249). ALL RESISTANCE VALUES ARE IN OHM (Ω). ALL CAPACITANCE VALUES ARE IN μF (p=F). ALL E-CAPACITORS ARE SHOWN IN THE FORM OF CAPACITANCE (μF)/RATED VOLTAGE (V). 15S254T (SI DIODE) CAN BE CHANGED TO 15S270T OR MA155.
 3. LAST NO. VMW 2248 (C 58, R 48) VMW 1160 (C 15, R 13)
 4. BLANK NO. VMW 2248 (C 2, 8, 2, 26, 31, R 7, 37, 8, 47, 22, 16, 19)
 5. CF1, CF2 AND CF3 CONSTITUTE C-FILTER KIT NUMBERED FFA 23A.

IC1	PIN NO.	1	2	3	4	5	6	7	8	9																	
FM NO SIGNAL		1.3	2.0	4.4	2.0	0	4.4	3.6	4.3	4.4																	
IC2	PIN NO.	1	2	3	4	5	6	7	8	9	10	11	12	13	14	15	16	17	18	19	20	21	22	23	24		
FM NO SIGNAL		1.5	1.5	5.3	0.3	1.5	0	5.1	0	2.2	2.2	4.6	0.9	1.1	1.8	1.1	1.7	1.4	1.5	0.4	5.3	5.3	1.5	1.5	1.5		
MW NO SIGNAL		1.6	1.6	5.6	0.9	1.6	0	5.2	0.2	2.2	2.2	5.6	0.9	0	1.7	1.4	1.7	1.7	1.6	0.5	5.6	5.6	1.6	1.6	1.6		
IC51	PIN NO.	1	2	3	4	5	6	7	8	9	10	11	12	13	14	15	16	17	18	19	20	21	22	23	24	25	26
FM NO SIGNAL		1.8	1.8	1.8	1.8	2.5	2.5	5.0	2.5	0	0	1.0	5.2	0	2.4	2.2	0.3	0.3	5.0	0	0	0	0	0	0	0.4	0.3
FM NO SIGNAL		2.0	4.1	2.6	1.1	5.2	1.8	0	0	0	0	5.3	4.6	5.2	5.3	5.2	4.6	0	0	0.6	0	0	0.6	0.1	4.1	0.8	
MW NO SIGNAL		0.1	0.8	0.7	1.2	5.5	1.9	0	0	0	0	5.6	5.6	4.9	5.6	0.8	5.0	0	0	0.6	0	0	0.6	0	0.7	0.6	
TR NO	Q501							Q2		Q7																	
PIN NO.	E	C	B	E	C	B	E	C	B	E	C	B	E	C	B	E	C	B	E	C	B	E	C	B	E	C	B
FM NO SIGNAL	0	0	5.1	2.4	5.1	3.1	0	0	0.7	0	0	5.1															
TR NO	Q3							Q4		Q5																	
PIN NO.	E	C	B	E	C	B	E	C	B	E	C	B	E	C	B	E	C	B	E	C	B	E	C	B	E	C	B
MW NO SIGNAL	0	0	0	0	0	0	0.7	0	0	0.7	0	2.9	0	5.6	0	4.9											
FM NO SIGNAL	0	0	0.7	0	0	0	0	0	0	0	0	0.7	5.6	5.4	4.8												

Standard Schematic Diagram Amplifier Circuit (A/U Version)

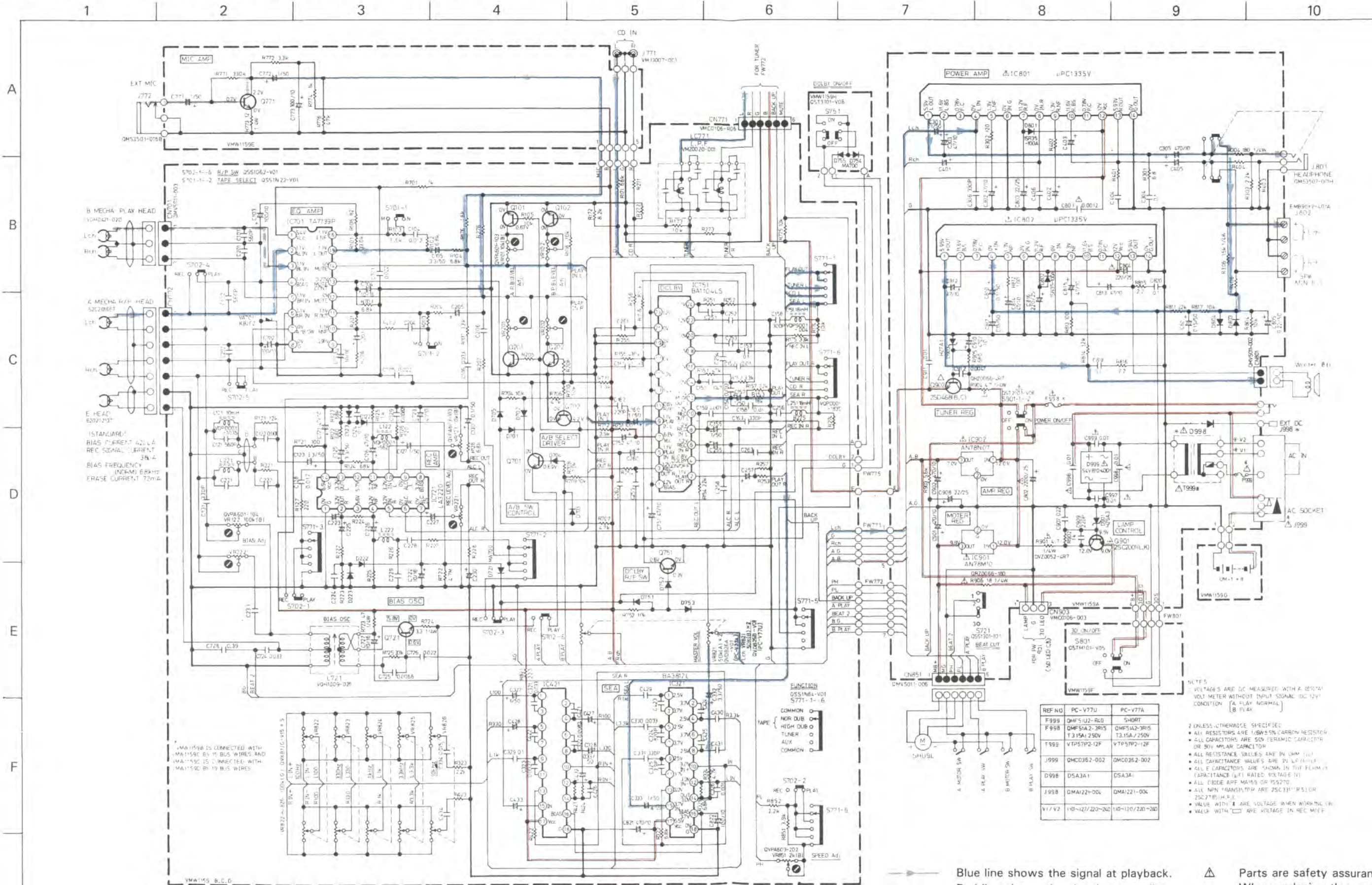


Fig. 7-3

Blue line shows the signal at playback.
 Red line shows the signal at recording.
 + B line.

Parts are safety assurance parts.
 When replacing those parts, make sure to use the specified one.

REF NO	PC-V77U	PC-V77A
F999	0MF5U2-R60	SHORT
F998	0MF5A2-3R15	0MF5A2-3R15
T999	VTP5P2-12F	VTP5P2-12F
J999	0MC0362-002	0MC0362-002
D998	DSA3A1	DSA3A1
J998	0MA121-004	0MA121-004
V1/V2	110-127/220-240	110-120/220-240

- NOTES
- VOLTAGES ARE DC MEASURED WITH A 200V VOLT METER WITHOUT INPUT SIGNAL DC 12V CONDITION [A: PLAY NORMAL] [B: PLAY]
 - UNLESS OTHERWISE SPECIFIED:
 - ALL RESISTORS ARE 1/8W±5% CARBON RESISTOR
 - ALL CAPACITORS ARE 50V CERAMIC CAPACITOR OR 50V MYLAR CAPACITOR
 - ALL RESISTANCE VALUES ARE IN OHM (Ω)
 - ALL CAPACITANCE VALUES ARE IN P.F (pF)
 - ALL CAPACITORS ARE SHOWN IN THE FORM OF CAPACITANCE (μF) RATED VOLTAGE (V)
 - ALL DIODE ARE 1A/50V OR 155270
 - ALL NPN TRANSISTOR ARE 2SC3311-PS10R 2SC778-B (4.5)
 - VALUE WITH # ARE VOLTAGE WHEN WORKING ON
 - VALUE WITH □ ARE VOLTAGE IN REC MODE

Standard Schematic Diagram Din Circuit (G/V Version)

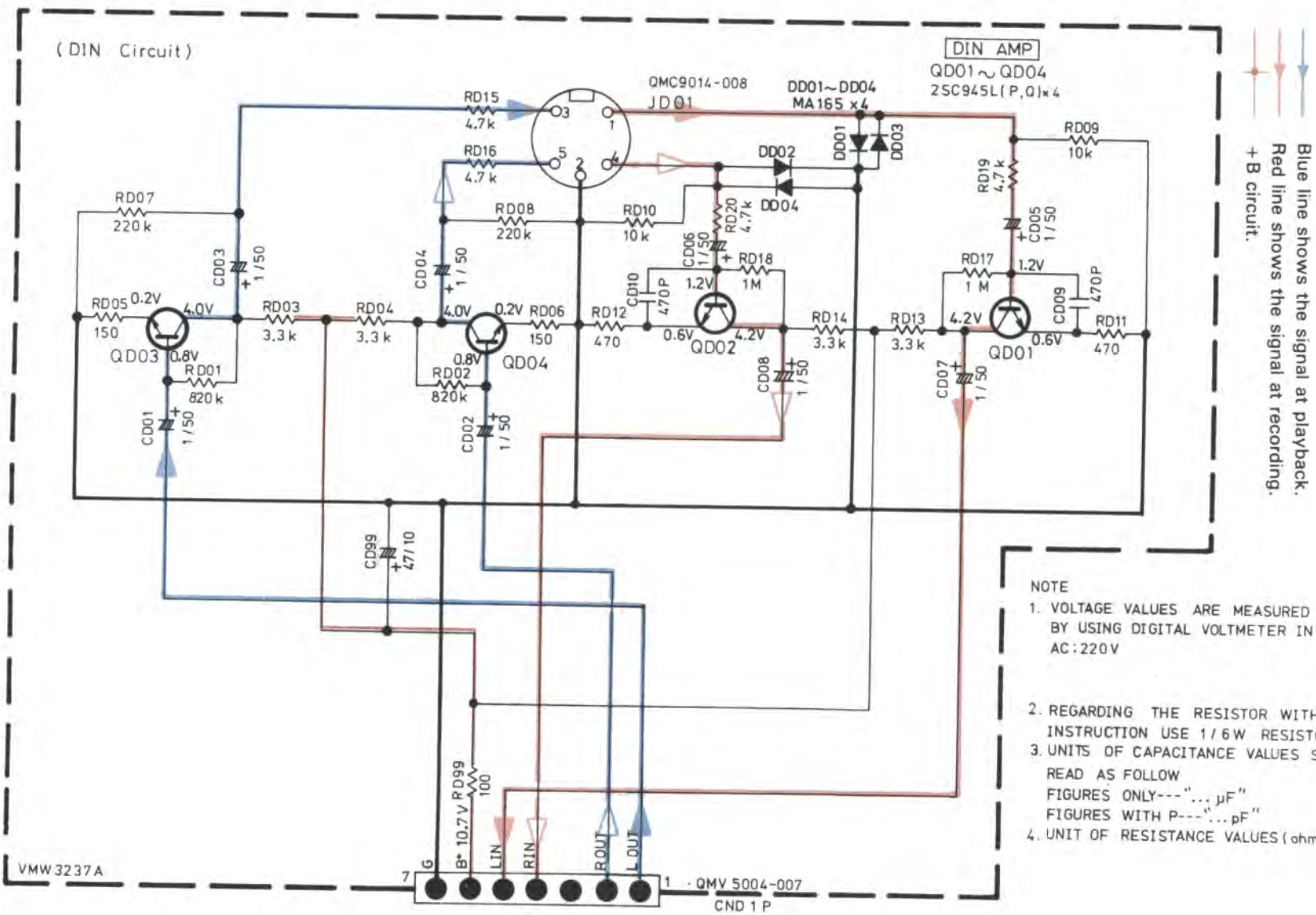


Fig. 7-5

VMW3237A

8 Location of P.C. Board Parts and Parts List

■ Tuner (B/E/G/V Version)

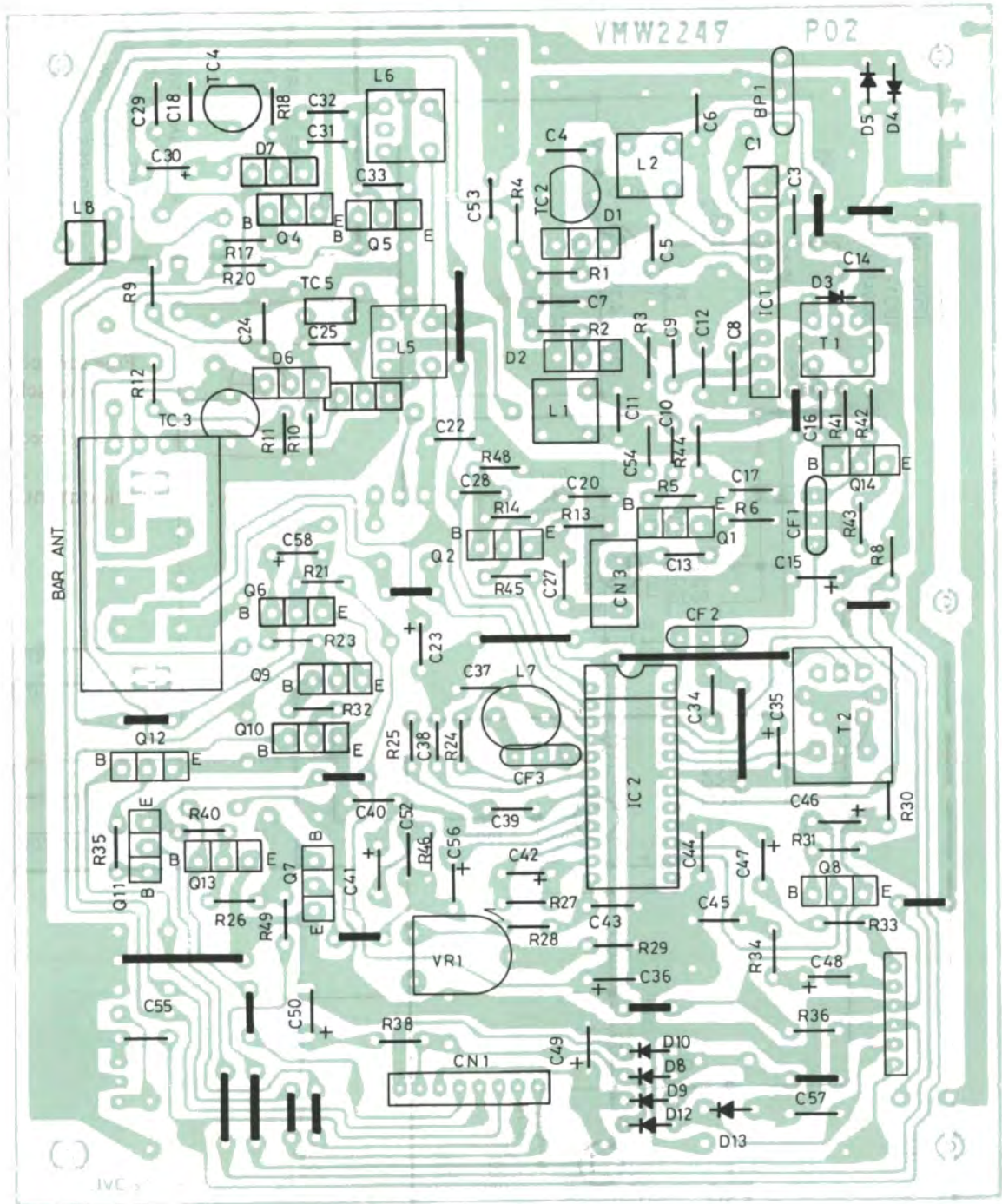


Fig. 8-1

Tuner Board Parts List (B/E/G/V Version)

△ parts are safety assurance parts.

When replacing those parts, make sure to use the specified one.

△ REF. NO	PARTS NO.	PARTS NAME
BP01	VBP4M3B-005	BP FILTER
CN01	VMC0106-008	CONNECTOR
CN03	QMV5011-003	CONNECTOR
C001	QCSB1HJ-200Y	C CAPACITOR
C003	QCBB1HK-102Y	C.CAPACITOR
C004	QCS31HJ-120Z	C.CAPACITOR
C005	QCSB1HK-5R6Y	C CAPACITOR
C006	QCF31HP-103Z	C.CAPACITOR
C007	QCC31EM-473ZV	C.CAPACITOR
C008	QCT30CH-3R3Y	C.CAPACITOR
C009	QCT30CH-200Y	C.CAPACITOR
C010	QCT30CH-1R5Y	C CAPACITOR
C011	QCT30CH-180Y	C.CAPACITOR
C012	QCF31HP-103Z	C.CAPACITOR
C013	QCBB1HK-102Y	C.CAPACITOR
C014	QCF31HP-103Z	C.CAPACITOR
C015	QETC1CM-106ZN	E.CAPACITOR
C016	QCVB1CN-103Y	C.CAPACITOR
C017	QCF31HP-103Z	C.CAPACITOR
C018	QCSB1HJ-330Y	C.CAPACITOR
C020	QCF31HP-223Z	C CAPACITOR
C022	QCC31EM-104ZV	C.CAPACITOR
C023	QETC1CM-106ZN	E.CAPACITOR
C024	QCC31EM-473ZV	C.CAPACITOR
C025	QFS41HJ-391	P.S.CAPACITOR
C027	QCF31HP-103Z	C.CAPACITOR
C028	QCBB1HK-102Y	C.CAPACITOR
C029	QCS31HJ-8R0Z	C.CAPACITOR
C030	QETC1HM-104Z	E.CAPACITOR
C031	QCSB1HJ-150Y	C.CAPACITOR
C032	QCS31HJ-221Z	C.CAPACITOR
C033	QCS11HJ-151	C.CAPACITOR
C034	QCC31EM-473ZV	C.CAPACITOR
C035	QETC1AM-226ZN	E.CAPACITOR
C036	QETC1AM-107ZN	E.CAPACITOR
C037	QCC31EM-473ZV	C.CAPACITOR
C038	QCXB1CM-222Y	C.CAPACITOR
C039	QCC31EM-103ZV	C.CAPACITOR
C040	QCBB1HK-331Y	C.CAPACITOR
C041	QETC1HM-335ZN	E.CAPACITOR
C042	QETC1HM-105ZN	E.CAPACITOR
C043	QFS41HJ-102	P.S.CAPACITOR
C044	QCC31EM-103ZV	C.CAPACITOR
C045	QCC31EM-103ZV	C.CAPACITOR
C046	QETC1HM-224ZN	E.CAPACITOR
C047	QETC1HM-335ZN	E.CAPACITOR
C048	QETC1HM-335ZN	E.CAPACITOR
C049	QETCOJM-477ZN	E.CAPA.
C050	VCE0004-002	SUPER CAP.
C052	QCY41HK-222	C.CAPACITOR
C053	QCBB1HK-151Y	C.CAPACITOR
C054	QCBB1HK-471Y	C.CAPACITOR
C055	QCBB1HK-151Y	C.CAPACITOR
C056	QETC1HM-335ZN	E.CAPACITOR
C057	QCC31EM-473ZV	C.CAPACITOR
C058	QETC1HM-105ZN	E.CAPACITOR
D001	KV1330	VARI CAP
D002	KV1330	VARI CAP
D003	MA165	SI DIODE
D004	HSS104TJ	SI DIODE
D005	HSS104TJ	SI DIODE
D006	KV1250	VARI CAP
D007	KV1250	VARI CAP
D008	MA700-TA	Z DIODE
D009	HSS104TJ	SI DIODE
D010	HSS104TJ	SI DIODE
D012	HSS104TJ	SI DIODE
D013	HZ4C2	Z DIODE
IC01	AN7205	IC
IC02	LA1810-K	IC
L001	V03105-029	OSC COIL
L002	VQF1B11-003	RF COIL
L003	VQB010B-501	BAR ANTENA
L004	VQB010B-501	BAR ANTENA
L005	VQM7U02-401	OSC COIL (MW)

△ REF. NO	PARTS NO.	PARTS NAME
L006	VQL7U02-501	QSC COIL (LW)
L007	VQP0012-8R2	INDUCTOR
L008	V03047-17	COIL
Q001	2SC1923(O)E2	TRANSISTOR
Q002	2SC2839(E)AC	TR テービオンク
Q003	2SC2839(E)AC	TR テービオンク
Q004	2SC3330(S,T)AC	TRANSISTOR
Q005	2SC3330(S,T)AC	TRANSISTOR
Q006	2SC3330(S,T)AC	TRANSISTOR
Q007	2SC3330(S,T)AC	TRANSISTOR
Q008	2SA1317(S,T)AC	TRANSISTOR
Q009	2SA1317(S,T)AC	TRANSISTOR
Q010	2SC3330(S,T)AC	TRANSISTOR
Q011	2SA1317(S,T)AC	TRANSISTOR
Q012	2SC3330(S,T)AC	TRANSISTOR
Q013	2SC3330(S,T)AC	TRANSISTOR
Q014	2SC2839(E)AC	TR テービオンク
R001	QRD161J-104Y	CARBON RESISTOR
R002	QRD161J-103Y	CARBON RESISTOR
R003	QRD161J-4R7Y	C RESISTOR
R004	QRD161J-102Y	CARBON RESISTOR
R005	QRD161J-823Y	CARBON RESISTOR
R006	QRD161J-102Y	CARBON RESISTOR
R008	QRD161J-820Y	CARBON RESISTOR
R009	QRD161J-102Y	CARBON RESISTOR
R010	QRD161J-104Y	CARBON RESISTOR
R011	QRD161J-104Y	CARBON RESISTOR
R012	QRD161J-103Y	CARBON RESISTOR
R013	QRD161J-152Y	CARBON RESISTOR
R014	QRD161J-473Y	CARBON RESISTOR
R015	QRD161J-102Y	CARBON RESISTOR
R017	QRD161J-103Y	CARBON RESISTOR
R018	QRD161J-104Y	CARBON RESISTOR
R020	QRD161J-103Y	CARBON RESISTOR
R021	QRD161J-103Y	CARBON RESISTOR
R023	QRD161J-103Y	CARBON RESISTOR
R024	QRD161J-182Y	CARBON RESISTOR
R025	QRD161J-103Y	CARBON RESISTOR
R026	QRD161J-332Y	CARBON RESISTOR
R027	QRD161J-154Y	CARBON RESISTOR
R028	QRD161J-223Y	CARBON RESISTOR
R029	QRD161J-222Y	CARBON RESISTOR
R030	QRD161J-103Y	CARBON RESISTOR
R031	QRD161J-103Y	CARBON RESISTOR
R032	QRD161J-103Y	CARBON RESISTOR
R033	QRD161J-222Y	CARBON RESISTOR
R035	QRD161J-103Y	CARBON RESISTOR
R036	QRD161J-220Y	CARBON RESISTOR
R038	QRD161J-331Y	CARBON RESISTOR
R040	QRD161J-103Y	CARBON RESISTOR
R041	QRD161J-564Y	CARBON RESISTOR
R042	QRD161J-331Y	CARBON RESISTOR
R043	QRD161J-121Y	CARBON RESISTOR
R044	QRD161J-101Y	CARBON RESISTOR
R045	QRD161J-101Y	CARBON RESISTOR
R046	QRD161J-152Y	CARBON RESISTOR
R048	QRD161J-273Y	CARBON RESISTOR
R049	QRD161J-103Y	CARBON RESISTOR
R34	QRD161J-222Y	CARBON RESISTOR
TC02	QAT3001-053	T.CAPACITOR
TC03	QAT3001-053	T.CAPACITOR
TC04	QAT3001-057	T.CAPACITOR
TC05	QAT3720-600M	T CAPACITOR
T001	VQT7F12-109	IFT
T002	VQT7A21-103	IFT
VR01	QVZ3512-103	V.RESISTOR

■ Tuner Board (A/U Version)

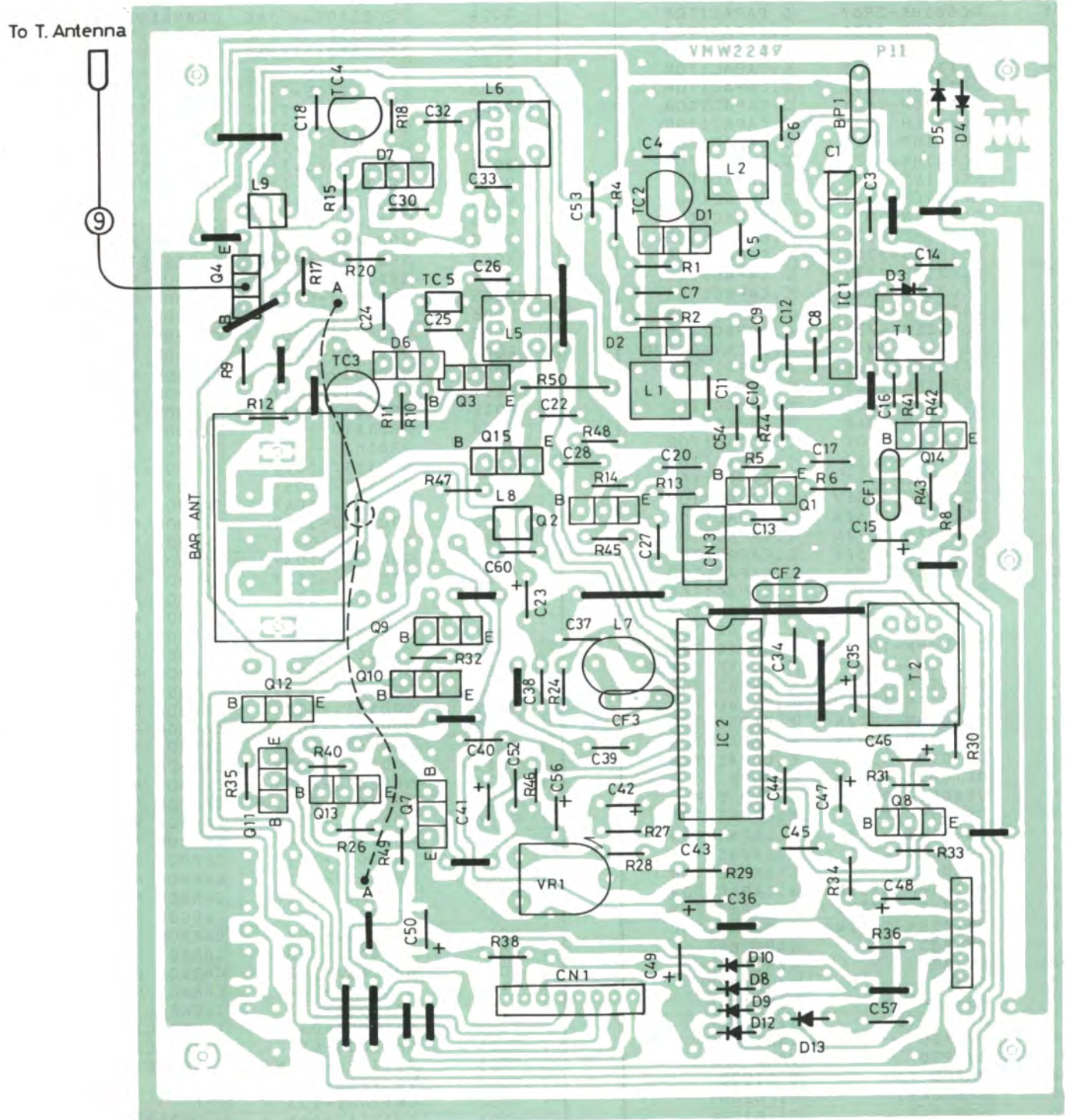


Fig. 8-2

Tuner Board Parts List (A/U Version)

REF. NO	PARTS NO.	PARTS NAME
BP01	VBP4M3B-005	BP FILTER
CN01	VMC0106-008	CONNECTOR
CN03	QMV5011-003	CONNECTOR
C001	QCSB1HJ-200Y	C CAPACITOR
C003	QCBB1HK-102Y	C. CAPACITOR
C004	QCS31HJ-100Z	C. CAPACITOR
C005	QCSB1HK-5R6Y	C CAPACITOR
C006	QCF31HP-103Z	C. CAPACITOR
C007	QCC31EM-473ZV	C. CAPACITOR
C008	QCT30CH-100Y	C. CAPACITOR
C009	QCT30CH-200Y	C. CAPACITOR
C010	QCT30CH-5R6Y	C. CAPACITOR
C011	QCT30CH-150Y	C CAPACITOR
C012	QCF31HP-103Z	C. CAPACITOR
C013	QCBB1HK-102Y	C. CAPACITOR
C014	QCF31HP-103Z	C. CAPACITOR
C015	QETC1CM-106ZN	E. CAPACITOR
C016	QCVB1CN-103Y	C. CAPACITOR
C017	QCF31HP-103Z	C. CAPACITOR
C020	QCF31HP-223Z	C CAPACITOR
C022	QCF31HP-223Z	C CAPACITOR
C023	QETC1CM-106ZN	E. CAPACITOR
C024	QCC31EM-473ZV	C. CAPACITOR
C025	QFS41HJ-391	P.S. CAPACITOR
C026	QCT30CH-2R2Y	C. CAPACITOR
C027	QCF31HP-103Z	C. CAPACITOR
C028	QCBB1HK-101Y	C. CAPACITOR
C029	QCSB1HJ-300Y	C CAPACITOR
C030	QCC31EM-473ZV	C. CAPACITOR
C032	QCY31HK-472Z	C. CAPACITOR
C033	QCT30UJ-6R8Y	C. CAPACITOR
C034	QCC31EM-473ZV	C. CAPACITOR
C035	QETC1AM-226ZN	E. CAPACITOR
C036	QETC1AM-107ZN	E. CAPACITOR
C037	QCC31EM-473ZV	C. CAPACITOR
C038	QCXB1CM-222Y	C. CAPACITOR
C039	QCC31EM-153ZV	C. CAPACITOR
C040	QCBB1HK-331Y	C. CAPACITOR
C041	QETC1HM-335ZN	E. CAPACITOR
C042	QETC1HM-105ZN	E. CAPACITOR
C043	QFS41HJ-102	P.S. CAPACITOR
C044	QCC31EM-123ZV	C. CAPACITOR
C045	QCC31EM-123ZV	C. CAPACITOR
C046	QETC1HM-224ZN	E CAPACITOR
C047	QETC1HM-335ZN	E. CAPACITOR
C048	QETC1HM-335ZN	E. CAPACITOR
C049	QETA0JM-477M	E CAPACITOR
C050	VCE0004-002	SUPER CAP.
C052	QCY41HK-222	C. CAPACITOR
C053	QCBB1HK-151Y	C. CAPACITOR
C054	QCBB1HK-471Y	C. CAPACITOR
C055	QCBB1HK-151Y	C. CAPACITOR
C056	QETC1HM-335ZN	E. CAPACITOR
C057	QCC31EM-473ZV	C. CAPACITOR
C058	QETC1HM-105ZN	E. CAPACITOR
C060	QCSB1HK-6R8Y	C CAPACITOR
C061	QCS11HJ-7R0	C. CAPACITOR
D001	KV1330	VARI CAP
D002	KV1330	VARI CAP
D003	MA165	SI DIODE
D004	HSS104TJ	SI DIODE
D005	HSS104TJ	SI DIODE
D006	KV1250	VARI CAP
D007	KV1250	VARI CAP
D008	MA700-TA	Z DIODE
D009	HSS104TJ	SI DIODE
D010	HSS104TJ	SI DIODE
D012	HSS104TJ	SI DIODE
D013	HZ4C2	Z DIODE
IC01	AN7205	IC
IC02	LA1810-K	IC
L001	VQ3105-029	OSC COIL
L002	VQF1B11-003	RF COIL
L003	VQB010A-501	BAR ANTENA
L004	VQB010A-501	BAR ANTENA

△ parts are safety assurance parts.
When replacing those parts, make sure to use the specified one.

REF. NO	PARTS NO.	PARTS NAME
L005	VQM7U02-401	OSC COIL(MW)
L006	VQS7U01-304	OSC COIL
L007	VQP0012-8R2	INDUCTOR
L008	V03047-21	ANTENNA COIL
L009	V03047-21	ANTENNA COIL
Q001	2SC1923(O)E2	TRANSISTOR
Q002	2SC2839(E)AC	TR テーヒーソング
Q003	2SC2839(E)AC	TR テーヒーソング
Q006	2SC3330(S,T)AC	TRANSISTOR
Q007	2SC3330(S,T)AC	TRANSISTOR
Q008	2SA1317(S,T)AC	TRANSISTOR
Q009	2SA1317(S,T)AC	TRANSISTOR
Q010	2SC3330(S,T)AC	TRANSISTOR
Q011	2SA1317(S,T)AC	TRANSISTOR
Q012	2SC3330(S,T)AC	TRANSISTOR
Q013	2SC3330(S,T)AC	TRANSISTOR
Q014	2SC2839(E)AC	TR テーヒーソング
Q015	2SA1317(S,T)AC	TRANSISTOR
R001	QRD161J-104Y	CARBON RESISTOR
R002	QRD161J-103Y	CARBON RESISTOR
R003	QRD161J-100Y	CARBON RESISTOR
R004	QRD161J-102Y	CARBON RESISTOR
R005	QRD161J-823Y	CARBON RESISTOR
R006	QRD161J-102Y	CARBON RESISTOR
R008	QRD161J-820Y	CARBON RESISTOR
R009	QRD161J-102Y	CARBON RESISTOR
R010	QRD161J-104Y	CARBON RESISTOR
R012	QRD161J-103Y	CARBON RESISTOR
R013	QRD161J-152Y	CARBON RESISTOR
R014	QRD161J-473Y	CARBON RESISTOR
R015	QRD161J-104Y	CARBON RESISTOR
R016	QRD161J-103Y	CARBON RESISTOR
R018	QRD161J-104Y	CARBON RESISTOR
R021	QRD161J-103Y	CARBON RESISTOR
R022	QRD161J-103Y	CARBON RESISTOR
R023	QRD161J-103Y	CARBON RESISTOR
R024	QRD161J-182Y	CARBON RESISTOR
R025	QRD161J-103Y	CARBON RESISTOR
R026	QRD161J-332Y	CARBON RESISTOR
R027	QRD161J-154Y	CARBON RESISTOR
R028	QRD161J-223Y	CARBON RESISTOR
R029	QRD161J-222Y	CARBON RESISTOR
R030	QRD161J-103Y	CARBON RESISTOR
R031	QRD161J-103Y	CARBON RESISTOR
R032	QRD161J-103Y	CARBON RESISTOR
R033	QRD161J-222Y	CARBON RESISTOR
R035	QRD161J-103Y	CARBON RESISTOR
R036	QRD161J-220Y	CARBON RESISTOR
R038	QRD161J-331Y	CARBON RESISTOR
R040	QRD161J-103Y	CARBON RESISTOR
R041	QRD161J-564Y	CARBON RESISTOR
R042	QRD161J-331Y	CARBON RESISTOR
R043	QRD161J-101Y	CARBON RESISTOR
R044	QRD161J-101Y	CARBON RESISTOR
R045	QRD161J-101Y	CARBON RESISTOR
R046	QRD161J-152Y	CARBON RESISTOR
R047	QRD161J-104Y	CARBON RESISTOR
R048	QRD161J-273Y	CARBON RESISTOR
R049	QRD161J-103Y	CARBON RESISTOR
R050	QRD161J-101	CARBON RESISTOR
R34	QRD161J-222Y	CARBON RESISTOR
TC02	QAT3001-053	T. CAPACITOR
TC03	QAT3001-053	T. CAPACITOR
TC04	QAT3720-100M	T CAPACITOR
TC05	QAT3720-600M	T CAPACITOR
T001	VQT7F12-109	IFT
T002	VQT7A21-103	IFT
VR01	QVZ3512-103	V. RESISTOR

■ Din Board (G/V Version)

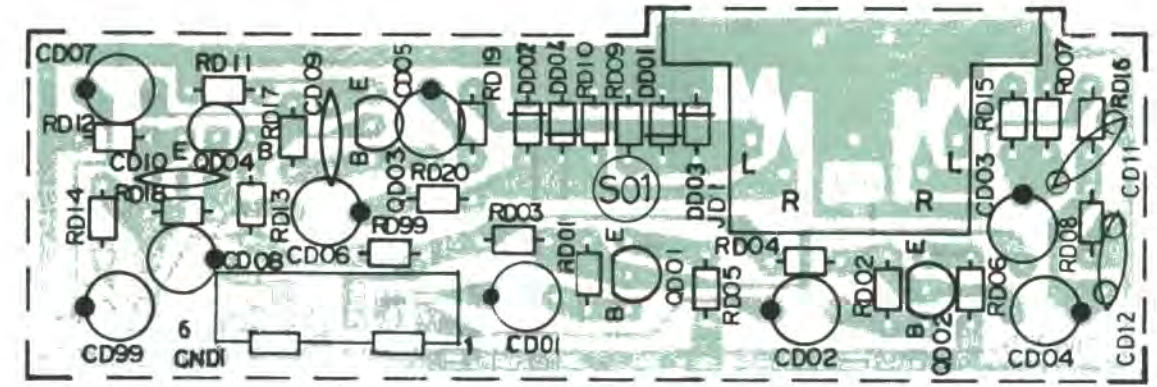


Fig. 8-4

REF. NO	PARTS NO.	PARTS NAME
CD02	QETB1HM-105	E. CAPACITOR
CD04	QETB1HM-105	E. CAPACITOR
CD06	QETB1HM-105	E. CAPACITOR
CD08	QETB1HM-105	E. CAPACITOR
CD10	QCY41HK-471	C. CAPACITOR
DD02	MA165	SI DIODE
DD04	MA165	SI DIODE
QD02	2SC2785(E,F)	TRANSISTOR
QD04	2SC2785(E,F)	TRANSISTOR
RD02	QRD144J-824S	C RESISTOR
RD04	QRD144J-332S	C RESISTOR
RD06	QRD144J-151S	CARBON RESISTOR
RD08	QRD161J-224	CARBON RESISTOR
RD10	QRD144J-103S	C. RESISTOR
RD12	QRD144J-471S	C RESISTOR
RD14	QRD144J-183S	C RESISTOR
RD16	QRD161J-103	CARBON RESISTOR
RD18	QRD144J-105S	C. RESISTOR
RD20	QRD144J-563S	CARBON RESISTOR
CD01	QETB1HM-105	E. CAPACITOR
CD03	QETB1HM-105	E. CAPACITOR
CD05	QETB1HM-105	E. CAPACITOR
CD07	QETB1HM-105	E. CAPACITOR
CD09	QCY41HK-471	C. CAPACITOR
CD11	QCY41HK-102	C. CAPACITOR

REF. NO	PARTS NO.	PARTS NAME
CD12	QCY41HK-102	C. CAPACITOR
CD99	QETB1AM-476	E. CAPACITOR
CND1	QMV5011-006	CONNECTOR
DD01	MA165	SI DIODE
DD03	MA165	SI DIODE
JD01	QMC9014-008	DIN SOCKET
QD01	2SC2785(E,F)	TRANSISTOR
QD03	2SC2785(E,F)	TRANSISTOR
RD01	QRD144J-824S	C RESISTOR
RD03	QRD144J-332S	C RESISTOR
RD05	QRD144J-151S	CARBON RESISTOR
RD07	QRD161J-224	CARBON RESISTOR
RD09	QRD144J-103S	C. RESISTOR
RD11	QRD144J-471S	C RESISTOR
RD13	QRD144J-183S	C RESISTOR
RD15	QRD161J-103	CARBON RESISTOR
RD17	QRD144J-105S	C. RESISTOR
RD19	QRD144J-563S	CARBON RESISTOR
RD99	QRD144J-101S	C. RESISTOR

Amplifier Board Parts List

REF. NO	PARTS NO.	PARTS NAME
CN701	QMV5011-003	CONNECTOR
CN702	VMZ0028-007	MINI PIN
CN801	QMV5011-002	CONNECTOR
CN851	QMV5011-006	CONNECTOR
CN901	VMC0106-003	CONNECTOR
C101	QCBB1HK-561Y	C. CAPACITOR
C102	QCBB1HK-561Y	C. CAPACITOR
C103	QETC1AM-1072N	E. CAPACITOR
C104	QCC31EM-1232V	C. CAPACITOR
C105	QETC1HM-3352N	E. CAPACITOR
C106	QCC31EM-3332V	C. CAPACITOR
C121	QCBB1HK-561Y	C. CAPACITOR
C122	QCBB1HK-102Y	C. CAPACITOR
C123	QER61EM-3352M	E. CAPACITOR
C124	QCC31EM-1042V	C. CAPACITOR
C125	QER61EM-3352M	E. CAPACITOR
C126	QETB1AM-476N	E. CAPACITOR
C127	QETC1HM-1052N	E. CAPACITOR
C128	QCC31EM-1232V	C. CAPACITOR
C129	QCY31HK-822Z	C. CAPACITOR
C130	QETC1HM-1042N	E. CAPACITOR
C131	QCBB1HK-331Y	C. CAPACITOR
C151	QCXB1CM-472Y	C. CAPACITOR
C152	QCVB1CM-103Y	C. CAPACITOR
C153	QCC31EM-1042V	C. CAPACITOR
C154	QCC31EM-3332V	C. CAPACITOR
C155	QETC1HM-1052N	E. CAPACITOR
C156	QCS31HJ-301Z	C. CAPACITOR
C157	QETC1HM-1052N	E. CAPACITOR
C158	QCBB1HK-102Y	C. CAPACITOR
C159	QCBB1HK-102Y	C. CAPACITOR
C160	QER61HM-1052M	E. CAPACITOR
C161	QCC31EM-3332V	C. CAPACITOR
C162	QCBB1HK-221Y	C. CAPACITOR
C163	QCBB1HK-331Y	C. CAPACITOR
C201	QCBB1HK-561Y	C. CAPACITOR
C202	QCBB1HK-561Y	C. CAPACITOR
C203	QETC1AM-1072N	E. CAPACITOR
C204	QCC31EM-1232V	C. CAPACITOR
C205	QETC1HM-3352N	E. CAPACITOR
C206	QCC31EM-3332V	C. CAPACITOR
C221	QCBB1HK-561Y	C. CAPACITOR
C222	QCBB1HK-102Y	C. CAPACITOR
C223	QETC1HM-3352N	E. CAPACITOR
C224	QCC31EM-1042V	C. CAPACITOR
C225	QETC1HM-3352N	E. CAPACITOR
C226	QETC1AM-4762N	E. CAPACITOR
C227	QETC1HM-1052N	E. CAPACITOR
C228	QCC31EM-1232V	C. CAPACITOR
C229	QCY31HK-822Z	C. CAPACITOR
C230	QETC1HM-1042N	E. CAPACITOR
C231	QCBB1HK-331Y	C. CAPACITOR
C251	QCXB1CM-472Y	C. CAPACITOR
C252	QCVB1CM-103Y	C. CAPACITOR
C253	QCC31EM-1042V	C. CAPACITOR
C254	QCC31EM-3332V	C. CAPACITOR
C255	QETC1HM-1052N	E. CAPACITOR
C256	QCS31HJ-301Z	C. CAPACITOR
C257	QETC1HM-1052N	E. CAPACITOR
C258	QCBB1HK-102Y	C. CAPACITOR
C259	QCBB1HK-102Y	C. CAPACITOR
C260	QER61HM-1052M	E. CAPACITOR
C261	QCC31EM-3332V	C. CAPACITOR
C262	QCBB1HK-221Y	C. CAPACITOR
C263	QCBB1HK-331Y	C. CAPACITOR
C301	QETC1HM-1052N	E. CAPACITOR
C302	QETC1AM-4762N	E. CAPACITOR
C303	QETC1AM-4762N	E. CAPACITOR
C304	QCC31EM-1042V	C. CAPACITOR
C305	QETC1AM-4772N	E. CAPACITOR

△ parts are safety assurance parts.

When replacing those parts, make sure to use the specified one.

REF. NO	PARTS NO.	PARTS NAME
C306	QCBB1HK-331Y	C. CAPACITOR
C307	QCSB1HJ-390Y	C. CAPACITOR
C321	QCC31EM-3332V	C. CAPACITOR
C322	QCY31HK-822Z	C. CAPACITOR
C323	QCXB1CM-272Y	C. CAPACITOR
C324	QCBB1HK-821Y	C. CAPACITOR
C325	QCSB1HJ-390Y	C. CAPACITOR
C326	QCBB1HK-102Y	C. CAPACITOR
C327	QETC1HM-1052N	E. CAPACITOR
C328	QETC1HM-3342N	E. CAPACITOR
C329	QCC31EM-1042V	C. CAPACITOR
C330	QCC31EM-3332V	C. CAPACITOR
C331	QCBB1HK-331Y	C. CAPACITOR
C332	QETC1HM-3352N	E. CAPACITOR
C333	QETC1HM-1052N	E. CAPACITOR
C334	QCC31EM-1532V	C. CAPACITOR
C401	QETC1HM-1052N	E. CAPACITOR
C402	QETC1AM-4762N	E. CAPACITOR
C403	QETC1AM-4762N	E. CAPACITOR
C404	QCC31EM-1042V	C. CAPACITOR
C405	QETC1AM-4772N	E. CAPACITOR
C406	QCBB1HK-331Y	C. CAPACITOR
C407	QCSB1HJ-390Y	C. CAPACITOR
C421	QCC31EM-3332V	C. CAPACITOR
C422	QCY31HK-822Z	C. CAPACITOR
C423	QCXB1CM-272Y	C. CAPACITOR
C424	QCBB1HK-821Y	C. CAPACITOR
C425	QCSB1HJ-390Y	C. CAPACITOR
C426	QCBB1HK-102Y	C. CAPACITOR
C427	QETC1HM-1052N	E. CAPACITOR
C428	QETC1HM-3342N	E. CAPACITOR
C429	QCC31EM-1042V	C. CAPACITOR
C430	QCC31EM-3332V	C. CAPACITOR
C431	QCBB1HK-331Y	C. CAPACITOR
C432	QETC1HM-3352N	E. CAPACITOR
C433	QETC1HM-1052N	E. CAPACITOR
C434	QCC31EM-1532V	C. CAPACITOR
C701	QCC31EM-2232V	C. CAPACITOR
C702	QETC1AM-1072N	E. CAPACITOR
C703	QETC1CM-1062N	E. CAPACITOR
C704	QETC1CM-1062N	E. CAPACITOR
C705	QCC31EM-2232V	C. CAPACITOR
C721	QETC1AM-4762N	E. CAPACITOR
C722	QETC1CM-1062N	E. CAPACITOR
C723	QETC1AM-4762N	E. CAPACITOR
C724	QFV71HJ-3332M	TF. CAPACITOR
C725	QCY31HK-682Z	C. CAPACITOR
C726	QCC31EM-2232V	C. CAPACITOR
C727	QETC1EM-1062N	E. CAPACITOR
C728	QFV71HJ-2242M	TF. CAPACITOR
C729	QFV71HJ-1542M	TF. CAPACITOR
C751	QETC1AM-4762N	E. CAPACITOR
C752	QER61CM-476Z	E. CAPACITOR
C771	QETC1HM-1052N	E. CAPACITOR
C772	QETC1HM-1052N	E. CAPACITOR
C773	QETC1AM-1072N	E. CAPACITOR
C801	QCY31HK-122Z	C. CAPACITOR
C802	QETB1EM-228N	E. CAPACITOR
C803	QETC1EM-2262N	E. CAPACITOR
C804	QETC1EM-2272N	E. CAPACITOR
C805	QETC1HM-2242N	E. CAPACITOR
C807	QFV41HJ-104	TF. CAPACITOR
C808	QFV41HJ-104	TF. CAPACITOR
C810	QETC1HM-1042N	E. CAPACITOR
C812	QETC1AM-4762N	E. CAPACITOR
C813	QETC1AM-4762N	E. CAPACITOR
C814	QETC1AM-4762N	E. CAPACITOR
C815	QETC1AM-4762N	E. CAPACITOR
C816	QETC1EM-2272N	E. CAPACITOR
C817	QETC1HM-154Z	E. CAPACITOR

REF. NO	PARTS NO.	PARTS NAME
C819	QCC31EM-1042V	C. CAPACITOR
C820	QCC31EM-1042V	C. CAPACITOR
C821	QETC1AM-4772N	E. CAPACITOR
C822	QETC1AM-1072N	E. CAPACITOR
C901	QETC1AM-4772N	E. CAPACITOR
C902	QETC1AM-4772N	E. CAPACITOR
C907	QFV81HJ-224	TF. CAPACITOR
C908	QETC1EM-2262N	E. CAPACITOR
C909	QCBB1HK-221Y	C. CAPACITOR
C910	QETC1AM-4772N	E. CAPACITOR
C911	QCVB1CM-103Y	C. CAPACITOR
C996	QFV71HJ-1042M	TF. CAPACITOR
C997	QFV71HJ-1042M	TF. CAPACITOR
C998	QFV71HJ-1042M	TF. CAPACITOR
C999	QFV71HJ-1042M	TF. CAPACITOR
D122	MA165-TA5V	SI DIODE
D123	MA165-TA5V	SI DIODE
D222	MA165-TA5V	SI DIODE
D223	MA165-TA5V	SI DIODE
D701	MA165-TA5V	SI DIODE
D702	MA165-TA5V	SI DIODE
D703	MA165-TA5V	SI DIODE
D704	HSS104TJ	SI DIODE
D705	MA165-TA5V	SI DIODE
D721	MA700-TA	Z DIODE
D751	HSS104TJ	SI DIODE
D752	HSS104TJ	SI DIODE
D753	HSS104TJ	SI DIODE
D754	MA700-TA	Z DIODE
D755	MA700-TA	Z DIODE
D801	1SR35-100AT-93	SI DIODE
D802	1SR35-100AT-93	SI DIODE
D803	MA165-TA5V	SI DIODE
D804	MA165-TA5V	SI DIODE
D901	HZ9A3	Z DIODE
D903	HZ7A1	ZENER DIODE
D999	S4VB10-4001	SI DIODE
IC321	BA3812L	I.C.
IC421	BA3812L	I.C.
IC701	TA7739P	IC
IC721	LA3220	IC
IC751	BA1104LS	IC
IC801	UPC1335V	IC
IC802	UPC1335V	IC
IC901	AN78M10	I.C.
IC902	AN78N07	I.C.
J771	VMJ3007-001	JACK
J772	QMS3501-016B	JACK
J801	QMS3507-001H	JACK
J802	EMB90YV-401A	SPK. TERMINAL
J999	QMC0362-002BS	AC SOCKET
LC771	EQF0101-002	FILTER
L121	VQP0001-103S	INDUCTOR
L122	VQP0001-562S	INDUCTOR
L151	VQP9001-004	INDUCTOR
L221	VQP0001-103S	INDUCTOR
L222	VQP0001-562S	INDUCTOR
L251	VQP0001-183S	INDUCTOR
L721	VQH1009-026	OSC COIL
L901	T41572-001	CHOKE COIL
Q101	2SC2785(HFE)-T	TRANSISTOR
Q102	2SC2785(HFE)-T	TRANSISTOR
Q201	2SC2785(HFE)-T	TRANSISTOR
Q202	2SC2785(HFE)-T	TRANSISTOR
Q701	2SC2785(HFE)-T	TRANSISTOR
Q702	2SC2785(HFE)-T	TRANSISTOR
Q721	2SC2785(HFE)-T	TRANSISTOR
Q751	2SC2785(HFE)-T	TRANSISTOR
Q771	2SC2785(HFE)-T	TRANSISTOR
Q901	2SC2001(L,K)-T	TRANSISTOR

REF. NO	PARTS NO.	PARTS NAME
Q902	2SD468(B,C)	TRANSISTOR
R101	QRD161J-334Y	CARBON RESISTOR
R102	QRD161J-682Y	CARBON RESISTOR
R103	QRD161J-562Y	CARBON RESISTOR
R104	QRD161J-682Y	CARBON RESISTOR
R105	QRD161J-103Y	CARBON RESISTOR
R106	QRD161J-820Y	CARBON RESISTOR
R107	QRD161J-332Y	CARBON RESISTOR
R108	QRD161J-103Y	CARBON RESISTOR
R121	QRD161J-123Y	CARBON RESISTOR
R122	QRD161J-681Y	CARBON RESISTOR
R123	QRD161J-683Y	CARBON RESISTOR
R124	QRD161J-683Y	CARBON RESISTOR
R125	QRD161J-102Y	CARBON RESISTOR
R126	QRD161J-121Y	CARBON RESISTOR
R127	QRD161J-221Y	CARBON RESISTOR
R128	QRD161J-682Y	CARBON RESISTOR
R151	QRD161J-473Y	CARBON RESISTOR
R152	QRD161J-332Y	CARBON RESISTOR
R153	QRD161J-183Y	CARBON RESISTOR
R154	QRD161J-223Y	CARBON RESISTOR
R155	QRD161J-434Y	CARBON RESISTOR
R156	QRD161J-824Y	CARBON RESISTOR
R157	QRD161J-223Y	CARBON RESISTOR
R171	QRD161J-683Y	CARBON RESISTOR
R172	QRD161J-822Y	CARBON RESISTOR
R173	QRD161J-103Y	CARBON RESISTOR
R174	QRD161J-103Y	CARBON RESISTOR
R175	QRD161J-333Y	CARBON RESISTOR
R176	QRD161J-183Y	CARBON RESISTOR
R201	QRD161J-334Y	CARBON RESISTOR
R202	QRD161J-682Y	CARBON RESISTOR
R203	QRD161J-562Y	CARBON RESISTOR
R204	QRD161J-682Y	CARBON RESISTOR
R205	QRD161J-103Y	CARBON RESISTOR
R206	QRD161J-820Y	CARBON RESISTOR
R207	QRD161J-332Y	CARBON RESISTOR
R208	QRD161J-103Y	CARBON RESISTOR
R221	QRD161J-123Y	CARBON RESISTOR
R222	QRD161J-681Y	CARBON RESISTOR
R223	QRD161J-683Y	CARBON RESISTOR
R224	QRD161J-683Y	CARBON RESISTOR
R225	QRD161J-102Y	CARBON RESISTOR
R226	QRD161J-121Y	CARBON RESISTOR
R227	QRD161J-221Y	CARBON RESISTOR
R228	QRD161J-682Y	CARBON RESISTOR
R251	QRD161J-473Y	CARBON RESISTOR
R252	QRD161J-332Y	CARBON RESISTOR
R253	QRD161J-183Y	CARBON RESISTOR
R254	QRD161J-223Y	CARBON RESISTOR
R255	QRD161J-434Y	CARBON RESISTOR
R256	QRD161J-824Y	CARBON RESISTOR
R257	QRD161J-223Y	CARBON RESISTOR
R271	QRD161J-683Y	CARBON RESISTOR
R272	QRD161J-822Y	CARBON RESISTOR
R273	QRD161J-103Y	CARBON RESISTOR
R274	QRD161J-103Y	CARBON RESISTOR
R275	QRD161J-333Y	CARBON RESISTOR
R276	QRD161J-183Y	CARBON RESISTOR
R301	QRD161J-688Y	C. RESISTOR
R302	QRD161J-121Y	CARBON RESISTOR
R303	QRD161J-222Y	CARBON RESISTOR
R304	QRD144J-181S	C. RESISTOR
R306	QRD144J-153S	C. RESISTOR
R321	QRD161J-682Y	CARBON RESISTOR
R322	QRD161J-682Y	CARBON RESISTOR
R323	QRD161J-222Y	CARBON RESISTOR
R324	QRD161J-472Y	CARBON RESISTOR
R401	QRD161J-688Y	C. RESISTOR
R402	QRD161J-121Y	CARBON RESISTOR

REF. NO	PARTS NO.	PARTS NAME
R403	QRD161J-222Y	CARBON RESISTOR
R404	QRD144J-181S	C RESISTOR
R406	QRD144J-153S	C RESISTOR
R421	QRD161J-682Y	CARBON RESISTOR
R422	QRD161J-682Y	CARBON RESISTOR
R423	QRD161J-222Y	CARBON RESISTOR
R424	QRD161J-472Y	CARBON RESISTOR
R701	QRD161J-102Y	CARBON RESISTOR
R703	QRD161J-682Y	CARBON RESISTOR
R704	QRD161J-103Y	CARBON RESISTOR
R706	QRD161J-472Y	CARBON RESISTOR
R707	QRD161J-472Y	CARBON RESISTOR
R708	QRD161J-103Y	CARBON RESISTOR
R709	QRD161J-103Y	CARBON RESISTOR
R710	QRD161J-103Y	CARBON RESISTOR
R711	QRD161J-392Y	CARBON RESISTOR
R712	QRD161J-392Y	CARBON RESISTOR
R721	QRD161J-101Y	CARBON RESISTOR
R722	QRD161J-475YT	C RESISTOR
R723	QRD144J-470S	CARBON RESISTOR
R724	QRD144J-3R3S	C RESISTOR
R725	QRD161J-333Y	CARBON RESISTOR
R751	QRD161J-101Y	CARBON RESISTOR
R752	QRD161J-103Y	CARBON RESISTOR
R771	QRD161J-334Y	CARBON RESISTOR
R772	QRD161J-332Y	CARBON RESISTOR
R773	QRD144J-120S	C RESISTOR
R774	QRD161J-102Y	CARBON RESISTOR
R775	QRD161J-473Y	CARBON RESISTOR
R776	QRD161J-103Y	CARBON RESISTOR
R804	QRD161J-103Y	CARBON RESISTOR
R811	QRD161J-223Y	CARBON RESISTOR
R812	QRD161J-101Y	CARBON RESISTOR
R813	QRD161J-101Y	CARBON RESISTOR
R814	QRD161J-123Y	CARBON RESISTOR
R815	QRD161J-2R2Y	CARBON RESISTOR
R816	QRD161J-2R2Y	CARBON RESISTOR
R817	QRD161J-103Y	CARBON RESISTOR
R821	QRD161J-221Y	CARBON RESISTOR
R851	QRD161J-392Y	CARBON RESISTOR
R852	QRD161J-222Y	CARBON RESISTOR
R901	QRZ0052-4R7	F. RESISTOR
R902	QRD161J-102Y	CARBON RESISTOR
R903	QRD161J-562Y	CARBON RESISTOR
R904	QRZ0066-4R7	C RESISTOR
R905	QRD161J-681Y	CARBON RESISTOR
R906	QRZ0066-180	C RESISTOR
S701	QSS1N22-V01	SLIDE SW
S702	QSS1G62-V01	SLIDE SW
S721	QSS1301-101	SLIDE SWITCH
S751	QST3101-V08	PUSH SWITCH
S771	QSS1N64-V01	SLIDE SW
S801	QSTM101-V05	PUSH SW
S901	QST2101-V06	PUSH SWITCH
VA701	KB262	VARISTOR
VR101	QVPA601-103	V. RESISTOR
VR102	QVPA601-103	V. RESISTOR
VR121	QVPA603-103	V RESISTOR
VR122	QVPA601-104	V RESISTOR
VR201	QVPA601-103	V. RESISTOR
VR202	QVPA601-103	V. RESISTOR
VR221	QVPA603-103	V RESISTOR
VR222	QVPA601-104	V RESISTOR
VR821	QVDB26A-V01	V RESISTOR
VR822	QVXB1JG-V15	V. RESISTOR
VR823	QVXB1JG-V15	V. RESISTOR
VR824	QVXB1JG-V15	V. RESISTOR
VR825	QVXB1JG-V15	V. RESISTOR
VR826	QVXB1JG-V15	V. RESISTOR
VR851	QVPA603-202	V RESISTOR

REF. NO	PARTS NO.	PARTS NAME
180	VYH3453-001	RADIATION*****
181	SBSB3010Z	SCREW
182	SBSB3010Z	SCREW
183	SBSB3010Z	SCREW
186	VYH6677-001	SHIELD

The Comparison Table of Main Board Parts

Ref. No.	Parts Name	PC-V77 B	PC-V77 E	PC-V77 G	PC-V77 U	PC-V77 A
T999	Power Trans	VTP57P2-12FBS	VTP57P2-12F	VTP57P2-12F	VPT57P2-12F	VTP57P2-12F
F998	Fuse	QMF51E2-3R15BS	QMF51A2-3R15	QMF51A2-3R15	QMF51A2-3R15	QMF51A2-3R15
J999	AC Socket	QMC0362-002BS	QMC0362-002	QMC0362-002	QMC0362-002	QMC0362-006
J998	DC Jack	—	QMA1221-004	—	QMA1221-004	QMA1221-004
D998	Si. Diode	—	DSA3A1	—	DSA3A1	DSA3A1
C997,996	C. Capacitor	QFV71HJ-104ZM	QFV71HJ-104ZM	QFV71HJ-104ZM	QCF31HP-103Z	QCF31HP-103Z
998,999						
C807,808	TF. Capacitor	QFV41HJ-104	QFV41HJ-104	—	QFV41HJ-104	QFV41HJ-104
C821	E. Capacitor	QETC1HM-154Z	QETC1HM-154Z			
R171,271	C. Resistor	QRD161J-683Y	QRD161J-683Y	QR161J-393Y	QRD161J-683Y	QRD161J-683Y
R172,272	"	QRD161J-822Y	QRD161J-822Y	QRD161J-223Y	QRD161J-822Y	QRD161J-822Y
R174,274	"	QRD161J-103Y	QRD161J-103Y	QRD161J-392Y	QRD161J-103Y	QRD161J-103Y
R175,275	"	QRD161J-333Y	QRD161J-333Y	QRD161J-473Y	QRD161J-333Y	QRD161J-333Y
R173,273	"	QRD161J-153Y	QRD161J-153Y	QRD161J-153Y	QRD161J-153Y	QRD161J-103Y
C728	TF. Capacitor	QFV71HJ-224ZM	QFV71HJ-224ZM	QZV71HJ-224ZM	QFV71HJ-394ZM	QFV71HJ-394ZM
C729	TF. Capacitor	QFV71HJ-154ZM	QFV71HJ-154ZM	QFV71HJ-154ZM	QFV71HJ-154ZM	—
—	Shield (for Motor)	VYTN418-004	VYTN418-004	VYTN418-004	—	—
—	"	VYTN418-005	VYTN418-005	VYTN418-005	—	—
C307,407	C. Capacitor	QCSB1HJ-390Y	QCSB1HJ-390Y	QCSB1HJ-390Y	—	—
L901	Coil	T41572-001	T41572-001	T41572-001	—	—
C903	E. Capacitor	QETA1CM-227M	QETA1CM-227M	QETA1CM-227M	—	—
R321,421	C. Resistor	QRD161J-103Y	QRD161J-103Y	QRD161J-103Y	QRD161J-103Y	QRD161J-682Y
R322,422	"	QRD161J-153Y	QRD161J-153Y	QRD161J-153Y	QRD161J-153Y	QRD161J-682Y
R323,423	"	QRD161J-821Y	QRD161J-821Y	QRD161J-821Y	QRD161J-821Y	QRD161J-222Y
R	"	—	—	—	—	QRD161J-472Y
R325,425	"	QRD161J-223Y	QRD161J-223Y	QRD161J-223Y	—	QRD161J-223Y

■ DTS Board (B/E/G/V Version)

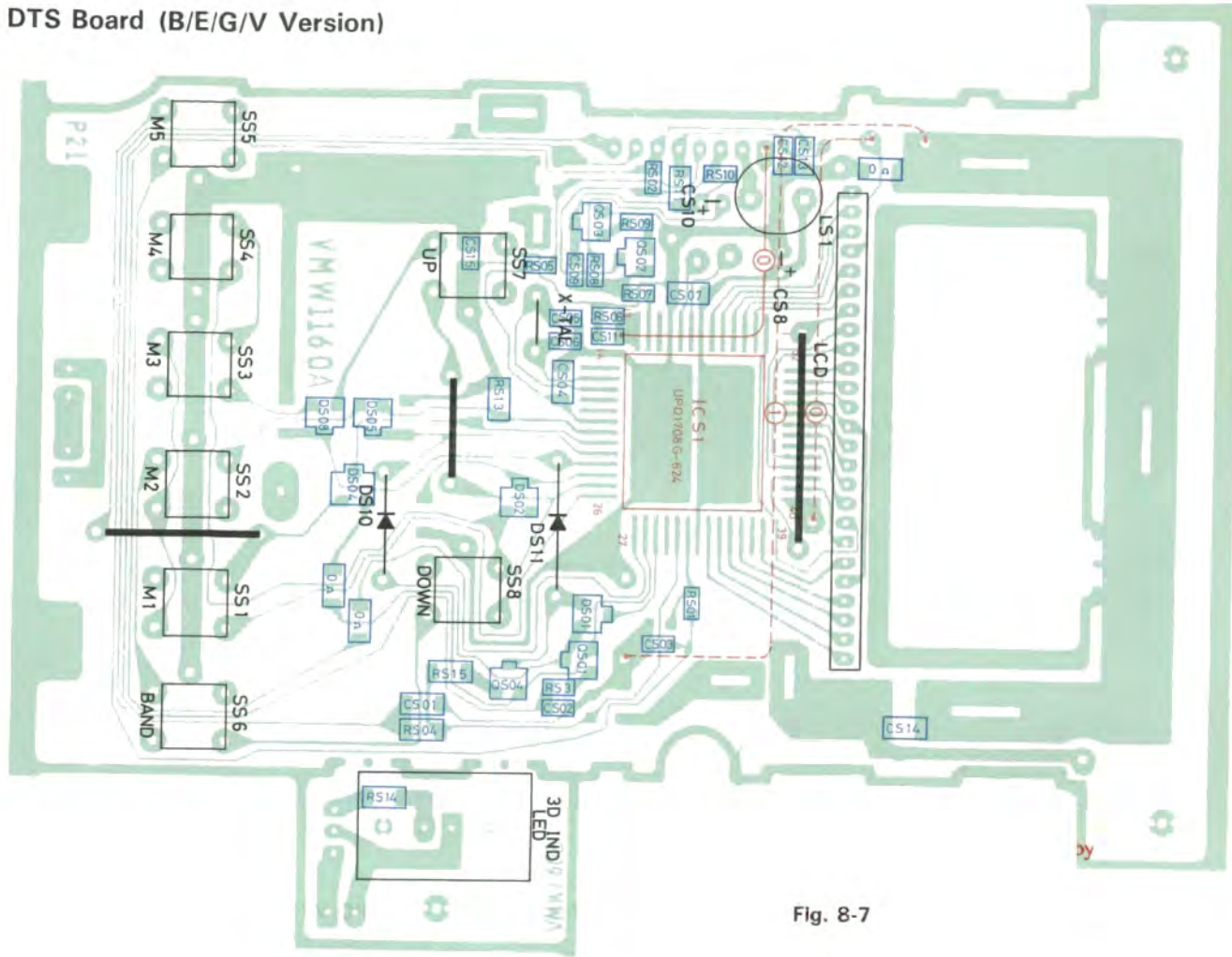


Fig. 8-7

REF. NO	PARTS NO.	PARTS NAME
CS01	QCY81HK-103Y	C. CAPACITOR
CS02	NCB21EK-103AY	C CAPACITOR
CS03	NCB21EK-103AY	C CAPACITOR
CS04	QCY81HK-103Y	C. CAPACITOR
CS05	NCT21CH-270AY	C CAPASITOR
CS06	NCT21CH-220AY	C CAPACITOR
CS07	QCF81EZ-224Y	C CAPACITOR
CS08	QER40GM-476VM	E CAPACITOR
CS09	NCB21HK-222AY	C CAPACITOR
CS10	QER41HM-225VM	E. CAPACITOR
CS11	NCB21EK-103AY	C CAPACITOR
CS12	NCF21HZ-473AY	C CAPACITOR
CS13	NCS21HJ-151AY	C CAPACITOR
CS14	QCS81HK-151Y	C CAPACITOR
CS15	QCY81HK-333Y	C CAPACITOR
DS02	MC2838W	DIODE
DS04	MC2838W	DIODE
DS05	MC2838W	DIODE
DS08	MC2838W	DIODE
DS09	LR-1140VC	L. E. D.
DS10	MA165	SI DIODE
DS11	MA165	SI DIODE
ICS1	UPD1708G-624	I C
LS01	VQP0012-471	INDUCTOR
QS01	2SA1179M.6TB	TRANSISTOR
QS02	2SC2812L-6TB	TRANSISTOR
QS03	2SC2812L-6TB	TRANSISTOR
QS04	2SA1179M.6TB	TRANSISTOR
RS01	NRSA02J-102NY	MG RESISTOR
RS02	NRSA02J-152NY	MG RESISTOR

REF. NO	PARTS NO.	PARTS NAME
RS03	NRSA02J-223NY	MG RESISTOR
RS04	NRS181J-223NY	MG RESISTOR
RS05	NRSA02J-223NY	MG RESISTOR
RS06	NRSA02J-332NY	MG RESISTOR
RS07	NRSA02J-472NY	MG RESISTOR
RS08	NRSA02J-102NY	MG RESISTOR
RS09	NRSA02J-471NY	MG RESISTOR
RS10	NRSA02J-332NY	MG RESISTOR
RS11	NRS181J-102NY	MG RESISTOR
RS12	NRS181J-223NY	MG RESISTOR
RS13	NRS181J-473NY	MG RESISTOR
SS01	QSP0301-002M	TACT SWITCH
SS02	QSP0301-002M	TACT SWITCH
SS03	QSP0301-002M	TACT SWITCH
SS04	QSP0301-002M	TACT SWITCH
SS05	QSP0301-002M	TACT SWITCH
SS06	QSP0301-002M	TACT SWITCH
SS07	QSP0301-002M	TACT SWITCH
SS08	QSP0301-002M	TACT SWITCH
	VGZ0001-028	P. Lamp
	VYH6645-001	Shield
	VYH6646-001	Shield
	VYSH103-064	Spacer

■ DTS Board (A/U Version)

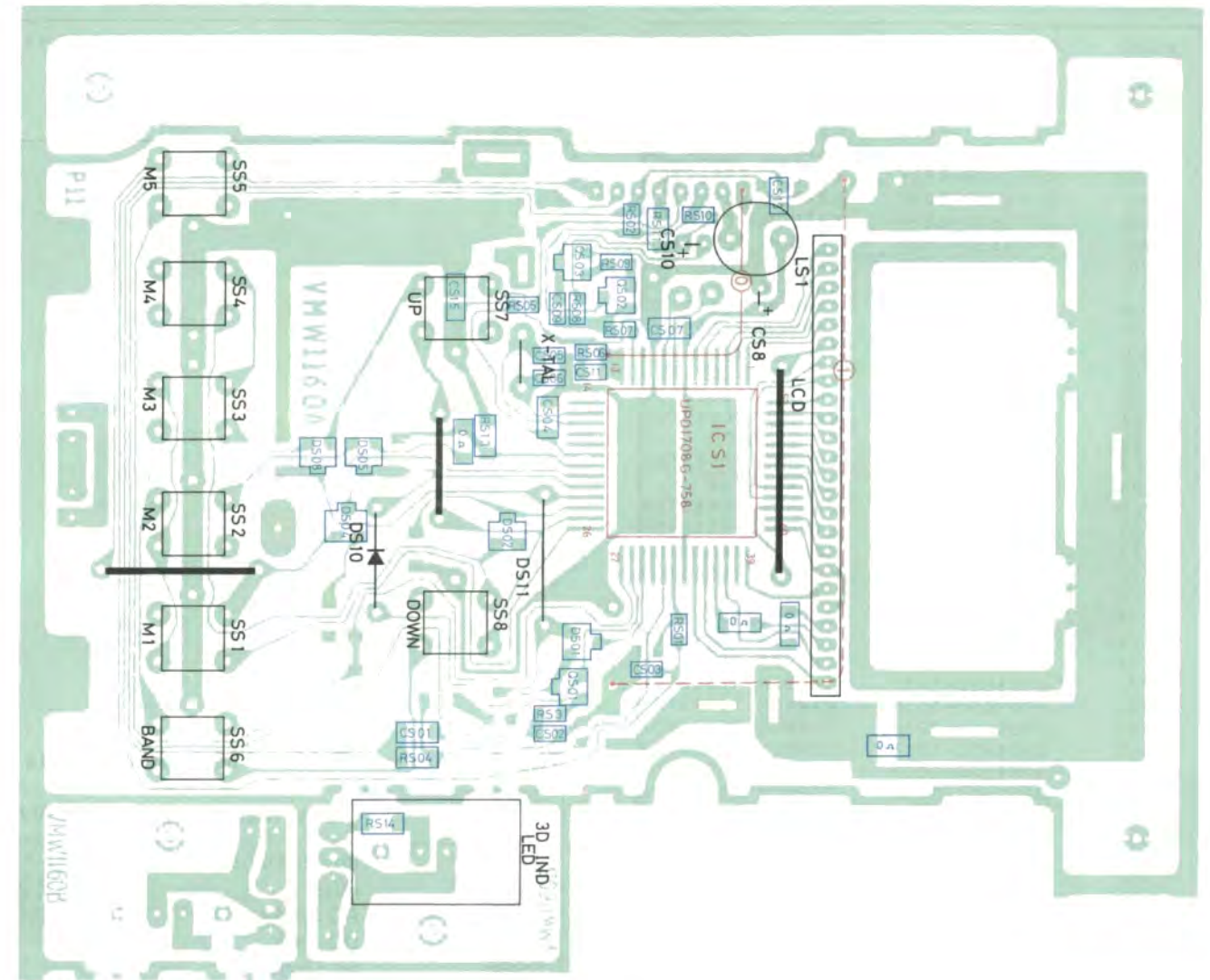


Fig. 8-8

REF. NO	PARTS NO.	PARTS NAME
CS01	QCY81HK-103Y	C. CAPACITOR
CS02	NCB21EK-103AY	C CAPACITOR
CS03	NCB21EK-103AY	C CAPACITOR
CS04	QCY81HK-103Y	C. CAPACITOR
CS05	NCT21CH-270AY	C CAPASITOR
CS06	NCT21CH-220AY	C CAPACITOR
CS07	QCF81EZ-224Y	C CAPACITOR
CS08	QER40GM-476VM	E CAPACITOR
CS09	NCB21HK-222AY	C CAPACITOR
CS10	QER41HM-225VM	E. CAPACITOR
CS11	NCB21EK-103AY	C CAPACITOR
CS12	NCF21HZ-473AY	C CAPACITOR
CS13	NCS21HJ-151AY	C CAPACITOR
CS14	QCS81HK-151Y	C CAPACITOR
CS15	QCY81HK-333Y	C CAPACITOR
DS02	MC2838W	DIODE
DS04	MC2838W	DIODE
DS05	MC2838W	DIODE
DS08	MC2838W	DIODE
DS10	MA165	SI DIODE
DS11	MA165	SI DIODE
ICS1	UPD1708G-624	I C
LS01	VQP0012-471	INDUCTOR
QS01	2SA1179M.6TB	TRANSISTOR
QS02	2SC2812L-6TB	TRANSISTOR

REF. NO	PARTS NO.	PARTS NAME
QS03	2SC2812L-6TB	TRANSISTOR
QS04	2SA1179M.6TB	TRANSISTOR
RS01	NRSA02J-102NY	MG RESISTOR
RS02	NRSA02J-152NY	MG RESISTOR
RS03	NRSA02J-223NY	MG RESISTOR
RS04	NRS181J-223NY	MG RESISTOR
RS05	NRSA02J-223NY	MG RESISTOR
RS06	NRSA02J-332NY	MG RESISTOR
RS07	NRSA02J-472NY	MG RESISTOR
RS08	NRSA02J-102NY	MG RESISTOR
RS09	NRSA02J-471NY	MG RESISTOR
RS10	NRSA02J-332NY	MG RESISTOR
RS11	NRS181J-102NY	MG RESISTOR
RS12	NRS181J-223NY	MG RESISTOR
RS13	NRS181J-473NY	MG RESISTOR
SS01	QSP0301-002M	TACT SWITCH
SS02	QSP0301-002M	TACT SWITCH
SS03	QSP0301-002M	TACT SWITCH
SS04	QSP0301-002M	TACT SWITCH
SS05	QSP0301-002M	TACT SWITCH
SS06	QSP0301-002M	TACT SWITCH
SS07	QSP0301-002M	TACT SWITCH
SS08	QSP0301-002M	TACT SWITCH

9 Exploded View of Speaker Box and Parts List

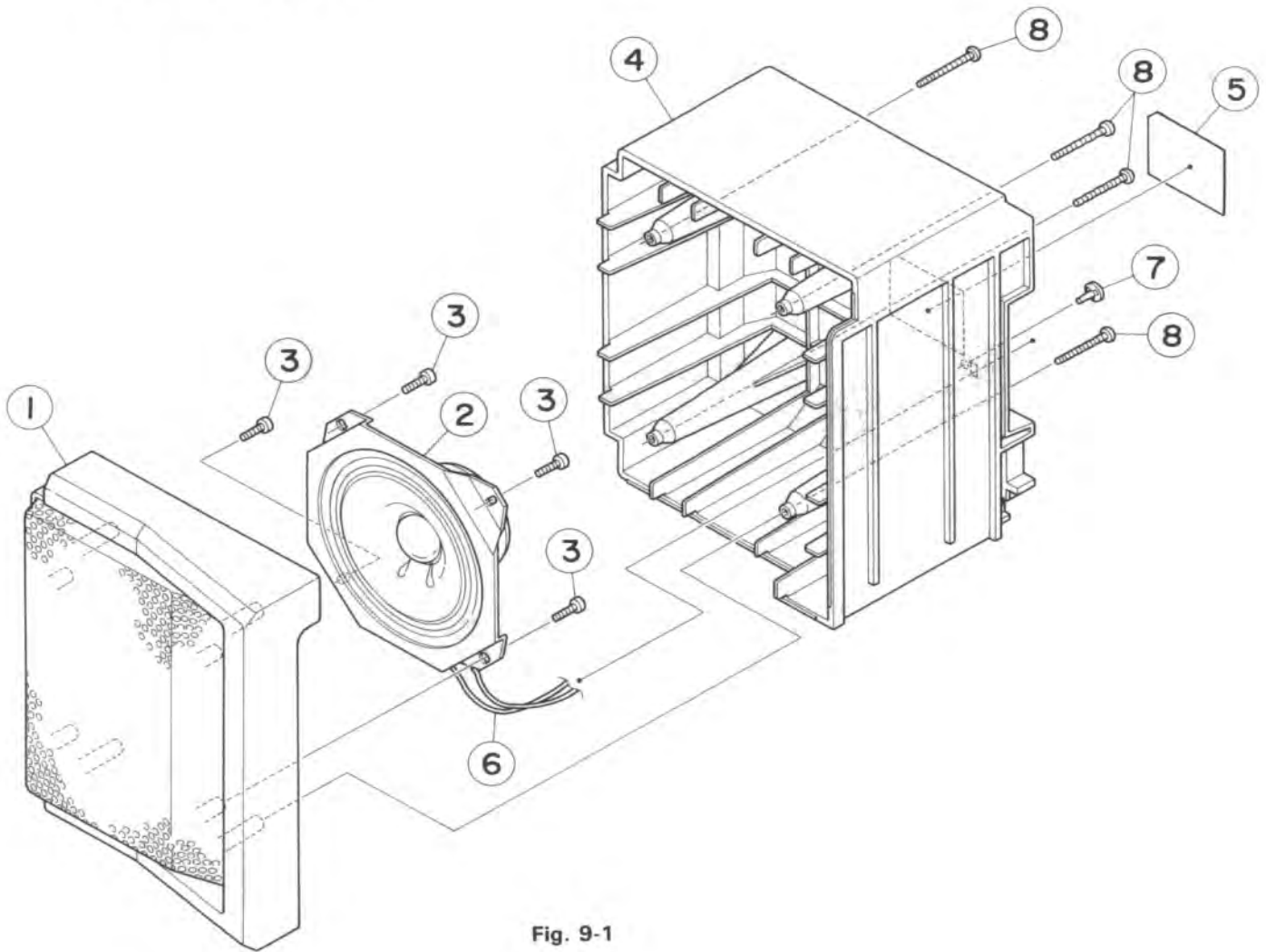


Fig. 9-1

△ parts are safety assurance parts.

When replacing those parts, make sure to use the specified one.

Speaker Box parts List

△	REF.	PARTS NO.	PARTS NAME	REMARKS	QTY
	1-1	VJC2306-00A	SP PANEL ASS'Y	LEFT	1
	1-2	VJC2307-00A	SP PANEL ASS'Y	RIGHT	1
	2	EAS10P268J	SPEAKER		1
	3	GBSF3010Z	SCREW	FOR SPEAKER	4
	4-1	VJC1636-001	REAR CABINET	LEFT	1
	4-2	VJC1644-001	REAR CABINET	RIGHT	1
	5	VYN7038-001B	NAME PLATE		1
	6	VMP0040-001N	SPEAKER CODE		1
	7	TEP357469-02	STOPPER		1
	8	SBSF3020Z	SCREW		4

Mechanism Component Parts List

△ parts are safety assurance parts.
When replacing those parts, make sure to use the specified one.

△ REF.	PARTS NO.	PARTS NAME	REMARKS	QTY
1	192114301T	BASE ASS'Y		2
2	19211409T	SWITCH PLATE		2
3	19211408T	LOCK CAM		2
4	19211422T	BUTTON LEVER		1
5	19211423T	BUTTON LEVER		2
6	19211424T	BUTTON LEVER		2
7	19211425T	BUUTON LEVER		2
8	19211426T	BUTTON LEVER		2
9	19211427T	BUTTON LEVER		1
10	19211413T	TORSION SPRING		1
11	19211410T	PAUSE LEVER		1
12	19211412T	PAUSE LEVER SP.		1
13	19211411T	PAUSE STOPPER		1
14	19211414T	TORSION SPRING		2
15	192101501T	CHASSIS ASS'Y		2
16	19211416T	TORSION SPRING		2
17	19211417T	TORSION SPRING		2
18	15100202T	REC SPRING		1
19	182101159T	E.KICK LEVER		2
20	19211420T	PR STOPPER		2
21	19211421T	TORSION SPRING		1
22	19211415T	TORSION SPRING		1
23	640101149T	LEAF SWITCH		2
24	19211433T	TORSION SPRING		1
25	19210301T	HEAD PANEL		1
26	19210302T	HEAD PANEL		1
27	19210304T	HEAD BASE		1
28	19210306T	HEAD BASE		1
29	19210303T	PANEL P SPRING		2
30	19211418T	TORSION SPRING		2
31	19211434T	P ARM		1
33	18210308T	SPRING		1
34	18210307T	AZIMUTH SPRING		2
35	192104301T	P.ROLLER ASS'Y		2
38	19212604T	SENSING LEVER		2
39	192107301T	RF CLUTCH ASS'Y		2
40	19210703T	RF BELT		2
43	192109304T	FLYWHEEL ASS'Y		1
44	192109303T	FLYWHEEL ASS'Y		1
45	19212605T	TORSION SPRING		2
46	192126502T	GEAR PLATE ASY.		1
47	19212602T	CAM GEAR		2
48	192126501T	GEAR PLATE ASY.		1
49	18211070T	F.F.GEAR		2
50	18291010T	BACK TENS. SP.		2
51	192105302T	SUPPLY REEL ASY		2
52	192105301T	T-UP REEL ASS'Y		2
53	19210506T	SENER		2
55	19211210T	MOTOR BRACKET		1
56	18201306T	RUBBER CUSHION		3
57	18211202T	COLLAR SCREW		3
58				
59	19210906T	MAIN BELT		2
60	18201354T	MAT		2
61	19211212T	MAT		1

△ REF.	PARTS NO.	PARTS NAME	REMARKS	QTY
62	19211302T	EJ. SLIDE LEVER		2
64	18291001T	PACK SPRING		2
65	VGH0421-020	R / P HEAD		1
66	62020166T	R/P HEAD		1
67	62021213T	E HEAD		1
58,68	192112312ZT	MOTOR ASSY		1
69	18211069T	REC.SAF.LEVER		1
71	91790000T	TAPPING SCREW		1
	91790000T	TAPPING SCREW		1
	91790000T	TAPPING SCREW		1
72	91800000T	SCREW		6
73	96790000T	SCREW		2
	96790000T	SCREW		2
74	99991809T	SPECIAL SCREW		2
	99991809T	SPECIAL SCREW		2
75	90040000T	SCREW		1
76	92230000T	CAP SCREW		2
77	91150000T	SCREW		1
	91150000T	SCREW		1
78	99220000T	SCREW		1
	99220000T	SCREW		1
79	94800000T	LUG		1
80	91820000T	SCREW		1
81	99992015T	SPECIAL SCREW		1
83	94220000T	POLY.CUT WASHER		1
	94220000T	POLY.CUT WASHER		1
84	99990313T	POLY.CUT WASHER		1
	99990313T	POLY.CUT WASHER		1
85	97860000T	P.WASHER		1
	97860000T	P.WASHER		1
91	19211209T	P KICK LEVER B		1
92	182112154T	P KICK LEVER A		1
93	18211223T	COLLAR SCREW		1
94	18211265T	COLLAR		1
95	18211225T	SPRING		1
98	640101161T	LEAF SWITCH		2

11 Exploded View of Enclosure Assembly

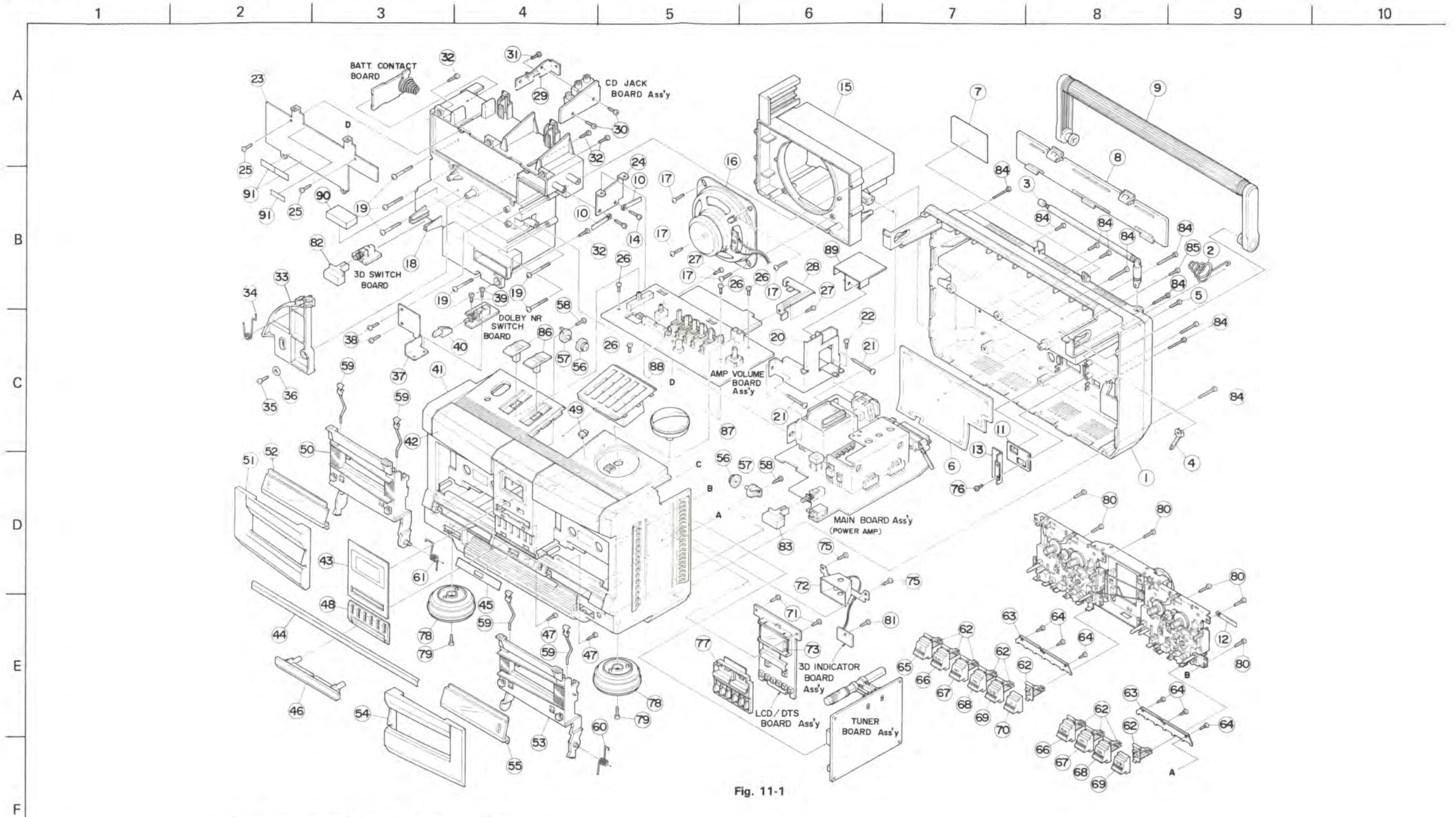


Fig. 11-1

The Comparison Table of Enclosure Parts

Ref. No.	Parts Name	PC-V77 B	PC-V77 E	PC-V77 G	PC-V77 A	PC-V77 U
1	Rear Cabinet	VJC1624-004	VJC1624-002	VJC1624-005	VJC1624-002	VJC1624-002
7	Name Plate	VYN7038-003	VYN7038-002	VYN7038-007	VYN7038-006	VYN7038-004
11	AC Slider	VYH6552-001	VYH6552-001	VYH6552-001	VYH6552-001	VYH6552-002
41	Front Cabinet	VJC1628-002	VJC1628-002	VJC1628-003	VJC1628-002	VJC1628-002
43	LCD Lens	VJC3684-002	VJC3684-002	VJC3684-002	VJC3684-003	VJC3684-003

△ parts are safety assurance parts.

When replacing those parts, make sure to use the specified one.

Enclosure Assembly Parts List

△	REF.	PARTS NO.	PARTS NAME	REMARKS	QTY
	1	VJC1624-004	REAR CABINET		1
	2	VYH5657-001	BATTERY SPRING		1
	3	VJA3006-00E	T.ANTENNA ASS'Y		1
	4	VYH5012-002	LUG TERMINAL		1
	5	SDSP3010N	SCREW	FOR ANTENNA	1
	6	VYH6551-001	SHEET		1
	7	VYN7038-003	NAME PLATE		1
	8	VJC2016-008	BATTERY COVER		1
	9	VJH4092-00B	HANDLE ASS'Y		1
	10	VKZ4001-011	WIRE HOLDER		2
	11	VYH6552-001	AC SLIDER		1
	12	VKZ4001-007	WIRE CLAMP		1
	13	VYH6553-001	AC BRACKET		1
	14	SDSF3010Z	SCREW		2
	15	VYH1165-001	3D BASE		1
	16	EAS10PL429B	SPEAKER		1
	17	SDSF3010Z	SCREW	FOR SPEAKER	4
	18	VYH1169-001	3D COVER		1
	19	SBSF3025Z	SCREW	COVER - BASE	6
	20	VYH3442-002	TRANS.BRACKET		1
	21	SBSF4020Z	SCREW	TRANS.- 3D UNIT	2
	22	SBSB3010Z	SCREW	FOR RADIATION	1
	23	VYH3444-002	3D PLATE		1
	24	VYH6629-001	BRACKET	FOR BOARD	1
	25	SDSF3010Z	SCREW	3D CASE - BRACKET	2
	26	SDST3006Z	SCREW	BOARD - 3D UNIT	4
	27	SDSF3010Z	SCREW	BOARD - 3D UNIT	2
	28	VYH6664-001	BRACKET		1
	29	VYH6555-001	JACK BRACKET		1
	30	SDST3006Z	SCREW	FOR JACK BRACKET	2
	31	SDSF3010Z	SCREW	JACK - 3D UNIT	1
	32	SBSF3030Z	SCREW	F.CABINET - 3D UNIT	4
	33	VYH3445-001	REC ARM		1
	34	VYH6558-001	REC SPRING		1
	35	SDSF3010Z	SCREW	FOR REC ARM	1
	36	Q03091-109	WASHER	FOR REC ARM	1
	37	VYH6630-001	BRACKET		1
	38	SDSF3008Z	SCREW		2
	39	SDST3006Z	SCREW		2
	40	VXP4649-001	PUSH BUTTON		1
	41	VJC1628-002	FRONT CABINET		1
	42	VJD3685-001	FRONT COVER		1
	43	VJD3684-002	LCD LENS		1
	44	VJD3683-001	PLATE		1
	45	VJD5078-002	3D LENS		1
	46	VJD5066-002	ESCUTCHEON		1
	47	SSSF3010Z	SCREW	FOR ESCUTCHEON	2
	48	VJD5079-001	F.ESCUTCHEON		1
	49	VYH6665-001	STOPPER		1
	50	VJT2159-001	CASSE HOLDER	FOR LEFT	1
	51	VJT2160-001	CASSE COVER	FOR LEFT	1
	52	VJT3228-003	CASSETTE LENS	FOR LEFT	1
	53	VJT2159-002	CASSETTE HOLDER	FOR RIGHT	1
	54	VJT2160-002	CASSETTE COVER	FOR RIGHT	1
	55	VJT3228-004	CASSETTE LENS	FOR RIGHT	1

△	REF.	PARTS NO.	PARTS NAME	REMARKS	QTY
	56	VYH5601-001	GEAR		2
	57	VYH5602-001	DAMPER HOLDER		2
	58	SDSF3012Z	SCREW	FOR DAMPER	2
	59	VKY4180-001	CASSETTE SPRING		4
	60	VYH6557-001	DOOR SPRING		1
	61	VYH6644-001	DOOR SPRING		1
	62	VKS4843-001	BUTTON LEVER		10
	63	VKL5960-001	BUTTON BRACKET		2
	64	SSSF2608Z	SCREW		6
	65	VXP3201-001	BUTTON(REC)		1
	66	VXP3201-002	BUTTON(PLAY)		2
	67	VXP3201-003	BUTTON(REW)		2
	68	VXP3201-004	BUTTON(FF)		2
	69	VXP3201-005	BUT(STOP/EJECT)		2
	70	VXP3201-006	BUTTON(PAUSE)		1
	71	SDSF3012Z	SCREW	FOR BOARD	2
	72	VYH6559-001	LCD CASE		1
	73	VYH6560-002	SHEET		1
	75	SDSF3012Z	SCREW	CABINET - CASE	2
	76	SDSF3010Z	SCREW	FOR AC BRACKET	1
	77	VXP3223-001	PUSH KNOB ASS'Y		1
	78	VJF4015-002	FOOT		2
	79	GBSF3010Z	SCREW	FOR FOOT	2
	80	SDSF3012Z	SCREW	FOR MECHANISM	6
	81	SDSF3008Z	SCREW	FOR 3D LED	1
	82	VXP4647-003	PUSH BUTTON	FOR 3D	1
	83	VXP4647-004	PUSH BUTTON	FOR POWER	1
	84	SDSF3016N	SCREW	FRONT - REAR	10
	85	SDSP4016N	SCREW	FRONT - REAR	1
	86	VXS4257-001	SLIDE KNOB		2
	87	VXL4299-001	VOLUME KNOB		1
	88	VJD5080-001	SEA COVER		1
	89	VYH6700-001	SHIELD		1
	90	VYSH107-010	SPACER		1
	91	VYSA1R4-066	SPACER		3
	41 - 45,48,49	ZCPRV77K-FBK	FRONT CABINET ASS'Y		1
	50,59	ZCPRV77K-CH-A	CASSETTE HOLDER ASS'Y	DECK A	1
	53,59	ZCPRV77K-CH-B	CASSETTE HOLDER ASS'Y	DECK B	1

12 Packing and Packing Parts List

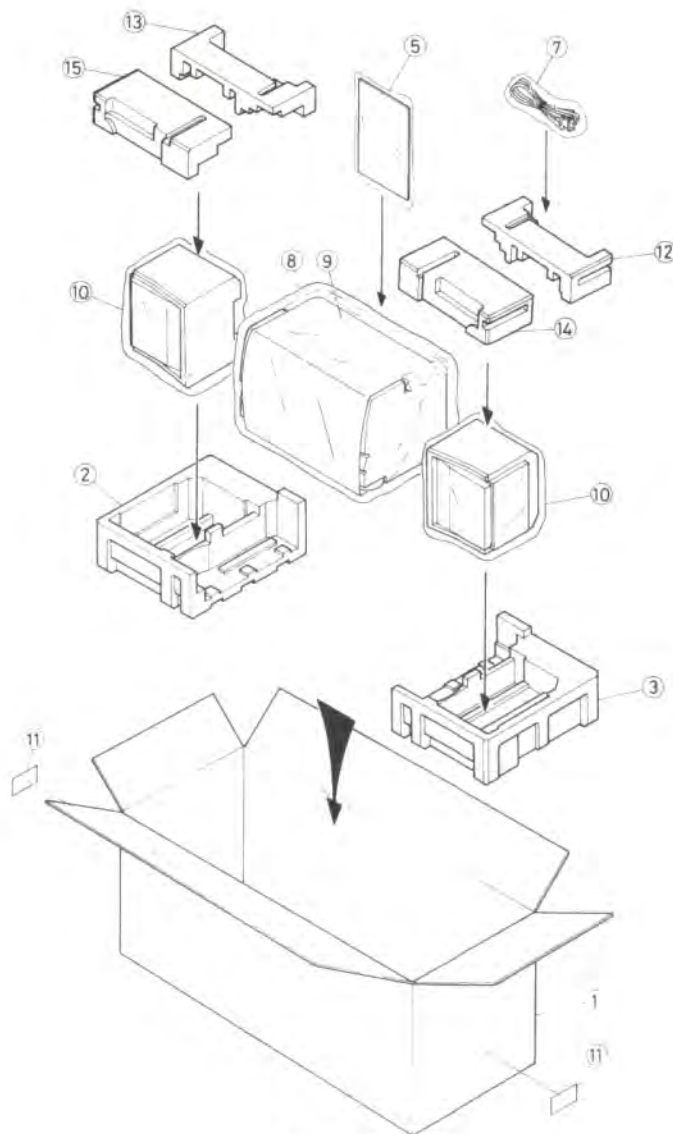


Fig. 12-1

⚠ parts are safety assurance parts.

When replacing those parts, make sure to use the specified one.

Packing Parts List

⚠	Ref. No.	Parts No.	Parts Name	Remarks	Q'ty
	1	VPC7038-001	Carton		1
	2	VPH1410-001	Cushion	Left Side (bottom)	1
	3	VPH1410-002	Cushion	Right Side (bottom)	1
	5	VPE3005-004	Poly Bag	for Instruction	1
	7	QPGA012-02505	Poly Bag	for Power Cord	1
	8	VPE3005-026	Poly Bag	for Receiver	1
	9	VPK4002-016	Sheet		1
	10	VPE3005-016	Poly Bag	for Speaker	2
	11	VPZ4001-001	Serial Ticket		2
	12	VPH1411-002	Cushion	Left Side	1
	13	VPH1411-001	Cushion	Right Side	1
	14	VPH1412-002	Cushion	Left Side	1
	15	VPH1412-001	Cushion	Right Side	1

13 Accessories

Ref. No.	Parts No.	Parts Name	Remarks	Q'ty
	VNN7038-211	Instruction Book	B/G Version	1
	VNN7038-441	"	E Version	1
	VNN7038-101	"	A Version	1
	VNN7038-801	"	U Version	1
	BT20060	Warranty Card	B Version	1
	BT20066	"	B/G Version	1
	BT20027D	"	A Version	1
	BT20065	"	G Version	1
	PU36158	FTZ Information Sheet	G Version	1
	QZL1002-003	Warning Label	B Version	1
	QMP9017-009BS	Power Cord	B Version	1
	QMP2540-200	"	A Version	1
	QMP3950-183	"	E/G Version	1
	QMP7350-150	"	U Version	1

JVC

VICTOR COMPANY OF JAPAN, LIMITED
 AUDIO PRODUCTS DIVISION MAEBASHI PLANT 10-1, 1-chome, Ohwatari-cho, Maebashi-city, Japan